

HWI Cargo Accessory Team

Manufacturing Booklet

Introduction

This booklet of manufacturing drawings is designed so that anyone can effortlessly look at each drawing/part and understand what it looks like and what dimensions it has. With this in mind, one could replicate each part with ease and assemble them together in such a way that the end product can be attained simply. There are several things to be kept in mind if anyone tries to replicate the end products and they are:

1. All tubing used is 1 1/4ths inch Outer Diameter.
2. All of the joints of the supports and flat-stock are welded into place.
3. The materials are made of steel for easy welding capabilities.
4. 1/4ths inch bolts and nuts should be placed in every side wall hole to hold it in place.
5. A 3/8ths inch clevis pin should be placed in the tongue and receiver holes.
6. A metal tie clip should be placed in a hole in the axle to hold the axle to the axle sleeve.
7. Standard 18 inch wheels with a 5/8ths inch hole should be placed on the axle.

This booklet will address building specifications for the Trailer, Under-Seat Tray, and Backseat (in that order). It will also have an index of all the parts and assemblies.

Trailer Part Index

Trailer Parts List				
REVISION	DONE	Name	Part #	# of Parts
X	X	Trailer Frame 1	1	4
X	X	Vertical Support	2	7
X	X	Axle Support	3	3
X	X	Wheel Axle Sleeve	4	2
X	X	Wheel Axle	5	2
X	X	Receiver	6	1
X	X	Tongue	7	1
X	X	Bottom Flatstock	8	3
X	X	Side Flatstock	9	2
X	X	Small Side Flatstock	10	2
X	X	Handle Bar	11	1
X	X	Bottom Plywood	12	1
X	X	Side Plywood	13	2
X	X	Small Side Plywood	14	2
X	X	Frame Assembly1	15	1
X	X	Frame Assembly2	16	1
X	X	Frame Assembly3	17	1
X	X	Wheel Axle Assembly	18	2
X	X	Hitching Assembly	19	1
X	X	Frame/Flatstock Assembly	20	1
X	X	Frame/Flatstock Assembly2	21	1
X	X	Frame/Flatstock Assembly3	22	1
X	X	Full Frame Assembly	23	1
X	X	Full Trailer Assembly	24	1

Frame Assembly1		
Parts include	Part #	# of Parts
Trailer Frame 1	1	4
Vertical Support	2	3

Frame/Flatstock Assembly		
Parts include	Part #	# of Parts
Frame Assembly3	17	1
Bottom Flatstock	8	3

Frame Assembly2		
Parts include	Part #	# of Parts
Frame Assembly1	15	1
Vertical Support	2	4

Frame/Flatstock Assembly2		
Parts include	Part #	# of Parts
Frame/Flatstock Assembly	20	1
Side Flatstock	9	2

Frame Assembly3		
Parts include	Part #	# of Parts
Frame Assembly2	16	1
Axle Support	4	3
Handle Bar	11	1

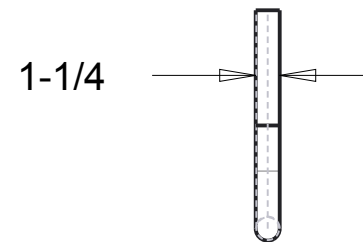
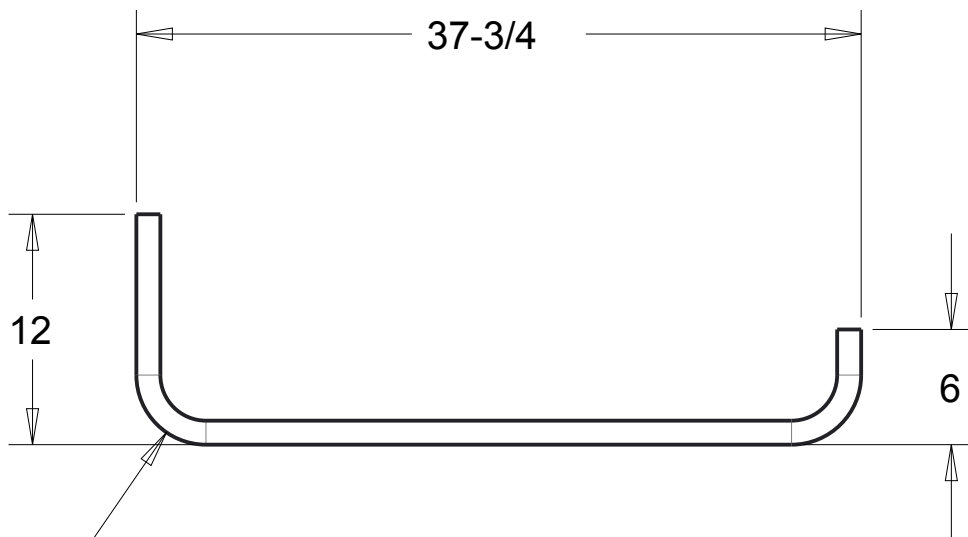
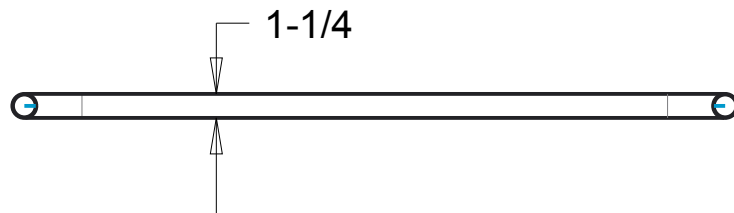
Frame/Flatstock Assembly3		
Parts include	Part #	# of Parts
Frame/Flatstock Assembly2	21	1
Small Side Flatstock	10	2

Wheel Axle Assembly		
Parts include	Part #	# of Parts
Wheel Axle Sleeve	4	1
Wheel Axle	5	1

Full Frame Assembly		
Parts include	Part #	# of Parts
Frame/Flatstock Assembly 3	22	1
Hitching Assembly	19	1
Wheel Axle Assembly	18	2

Hitching Assembly		
Parts include	Part #	# of Parts
Receiver	6	1
Tongue	7	1

Full Trailer Assembly		
Parts include	Part #	# of Parts
Full Trailer Assembly	23	1
Bottom Plywood	12	1
Side Plywood	13	2
Small Side Plywood	14	2



R3-5/8

His Wheels International Trailer
 Olivet Nazarene University
 Bourbonnais, IL 60914

UNLESS OTHERWISE SPECIFIED, DIMENSIONS
 ARE IN INCHES. TOLERANCES ARE:
 .X ± .05 ANGLES: ± 1°
 .XX ± .005 FRACTIONS: ± 1/16
 .XXX ± .001
 DO NOT TAKE MEASUREMENTS FROM DRAWING

Author: DAVID POWERS

Part Number: 0001

Revision:

Assembly:

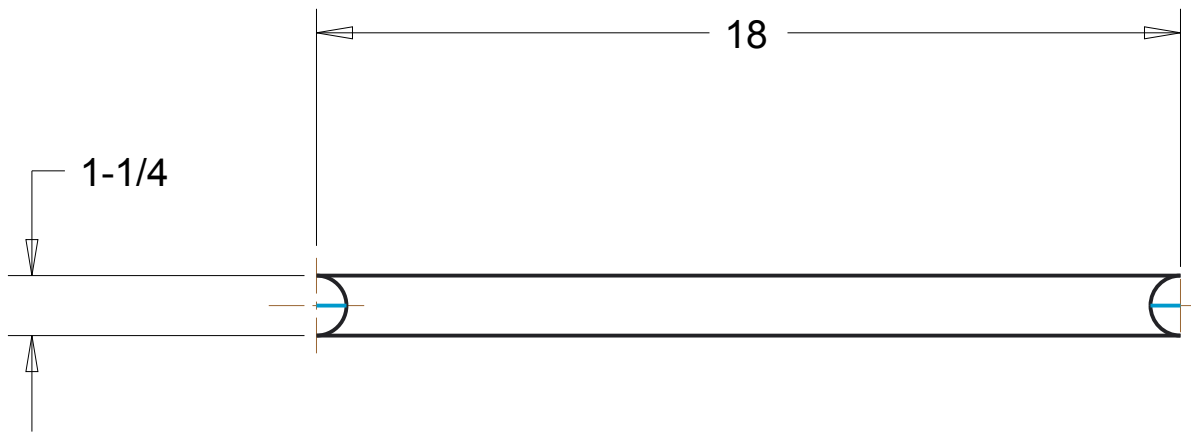
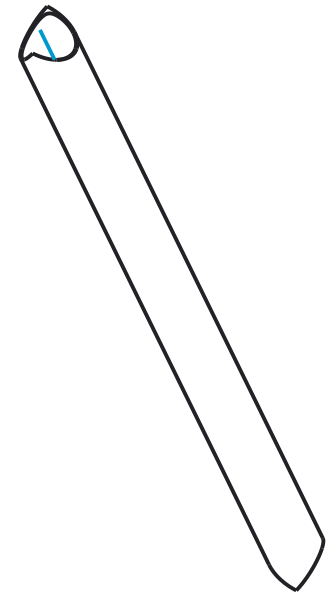
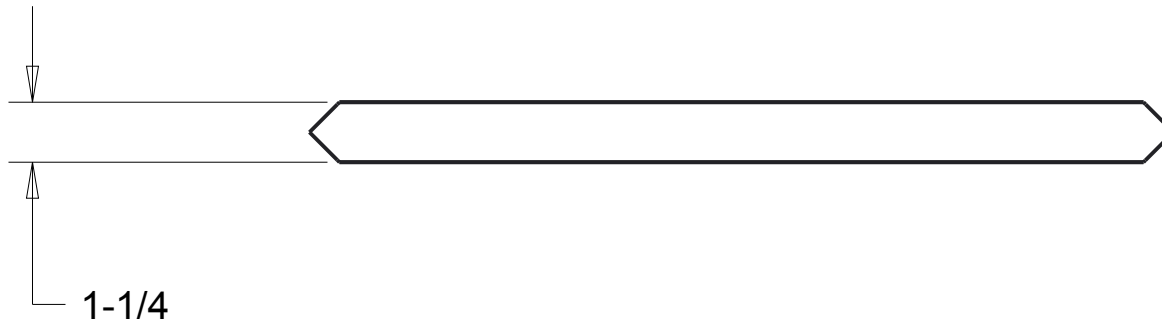
Date: Apr-08-15

Reviewed:

TRAILER FRAME 1

Scale: 0.100

Page:



His Wheels International Trailer
 Olivet Nazarene University
 Bourbonnais, IL 60914

UNLESS OTHERWISE SPECIFIED, DIMENSIONS
 ARE IN INCHES. TOLERANCES ARE:
 .X ± .05 ANGLES: ± 1°
 .XX ± .005 FRACTIONS: ± 1/16
 .XXX ± .001
 DO NOT TAKE MEASUREMENTS FROM DRAWING

Author: DAVID POWERS

Part Number: 0002

Revision:

Assembly:

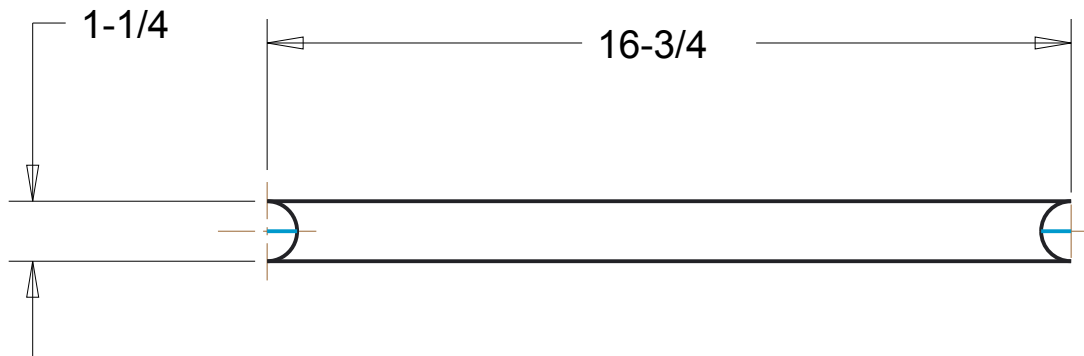
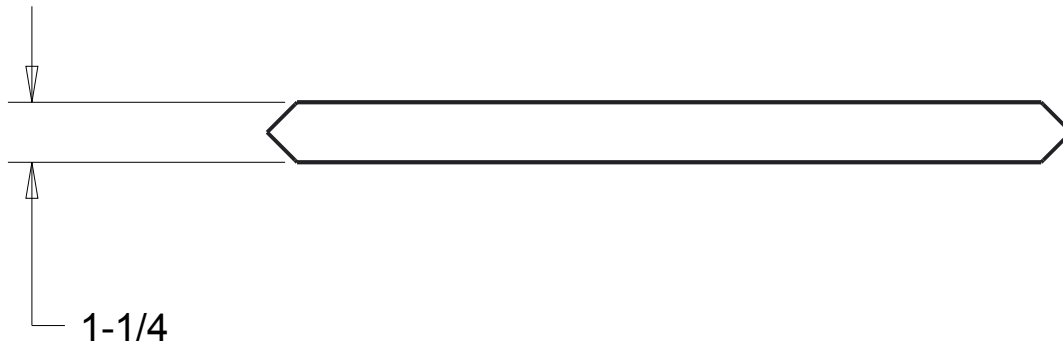
Date: Apr-01-15

Reviewed:

VERTICAL SUPPORT

Scale: 0.250

Page:



His Wheels International Trailer
 Olivet Nazarene University
 Bourbonnais, IL 60914

UNLESS OTHERWISE SPECIFIED, DIMENSIONS
 ARE IN INCHES. TOLERANCES ARE:
 .X ± .05 ANGLES: ± 1°
 .XX ± .005 FRACTIONS: ± 1/16
 .XXX ± .001
 DO NOT TAKE MEASUREMENTS FROM DRAWING

Author: DAVID POWERS

Revision:

Date: Apr-01-15

Part Number: 0003

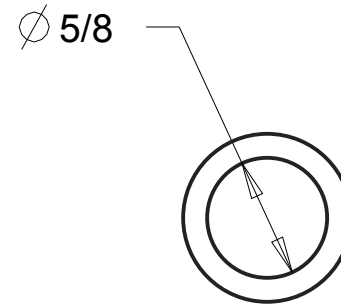
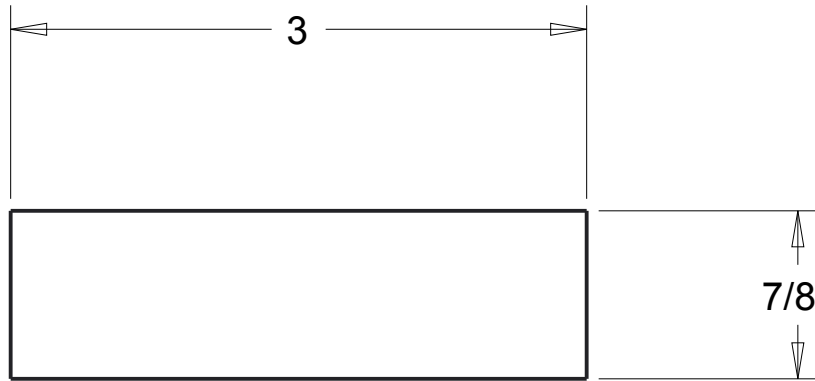
Assembly:

Reviewed:

AXLE SUPPORT

Scale: 0.250

Page:



His Wheels International Trailer
 Olivet Nazarene University
 Bourbonnais, IL 60914

UNLESS OTHERWISE SPECIFIED, DIMENSIONS
 ARE IN INCHES. TOLERANCES ARE:
 .X ± .05 ANGLES: ± 1°
 .XX ± .005 FRACTIONS: ± 1/16
 .XXX ± .001
 DO NOT TAKE MEASUREMENTS FROM DRAWING

Author: DAVID POWERS

Part Number: 0004

Revision:

Assembly:

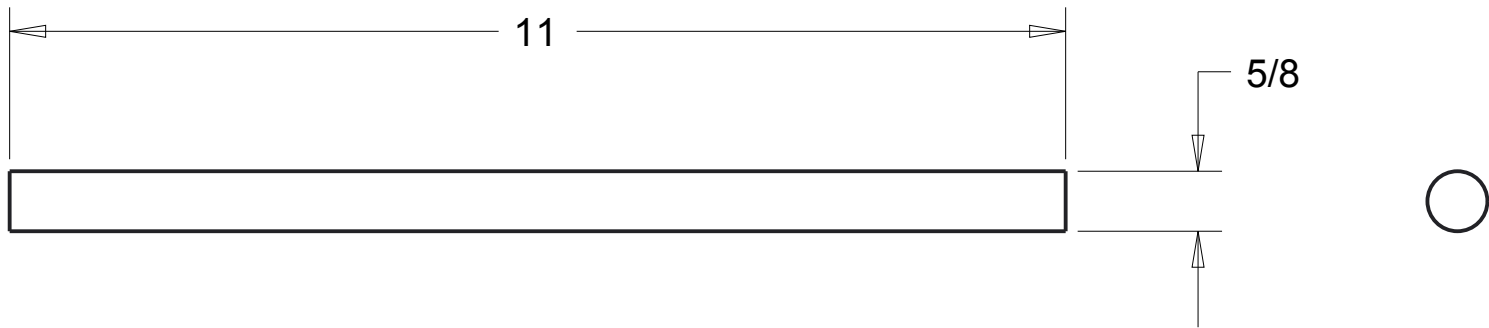
Date: Apr-01-15

Reviewed:

WHEEL AXLE SLEEVE

Scale: 1.000

Page:



His Wheels International Trailer
 Olivet Nazarene University
 Bourbonnais, IL 60914

UNLESS OTHERWISE SPECIFIED, DIMENSIONS
 ARE IN INCHES. TOLERANCES ARE:
 .X ± .05 ANGLES: ± 1°
 .XX ± .005 FRACTIONS: ± 1/16
 .XXX ± .001
 DO NOT TAKE MEASUREMENTS FROM DRAWING

Author: DAVID POWERS

Revision:

Date: Apr-01-15

Part Number: 0005

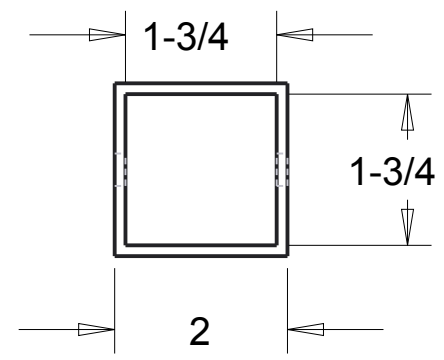
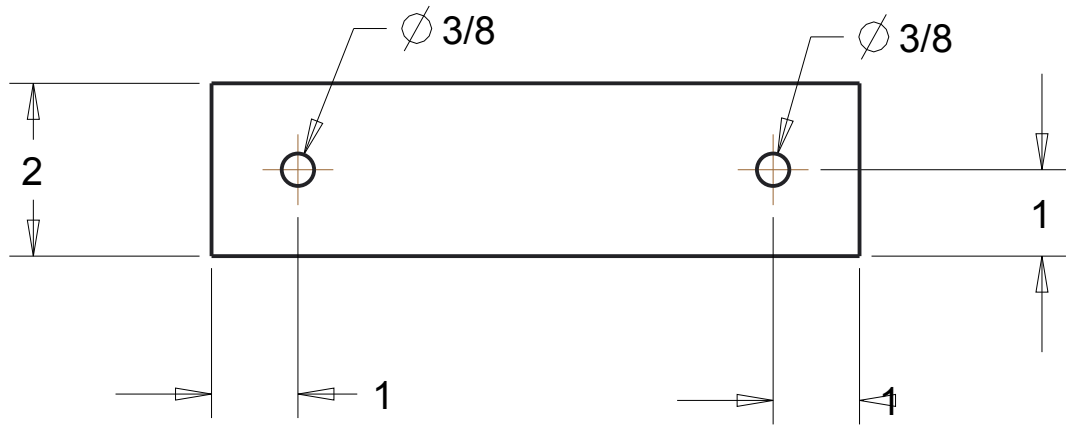
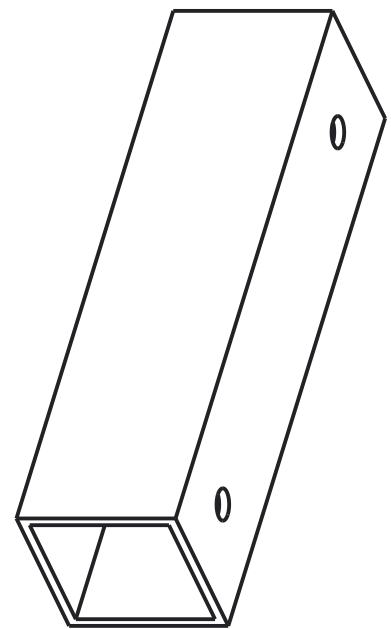
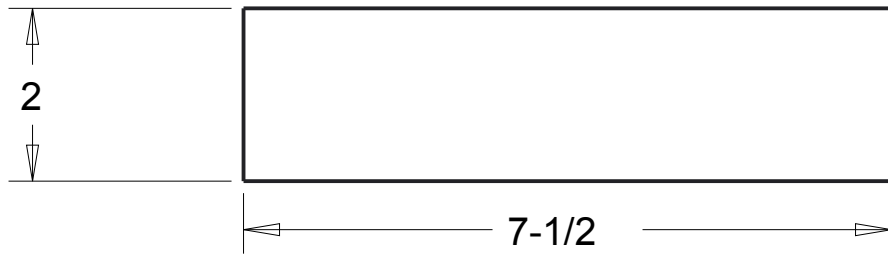
Assembly:

Reviewed:

WHEEL AXLE

Scale: 0.500

Page:



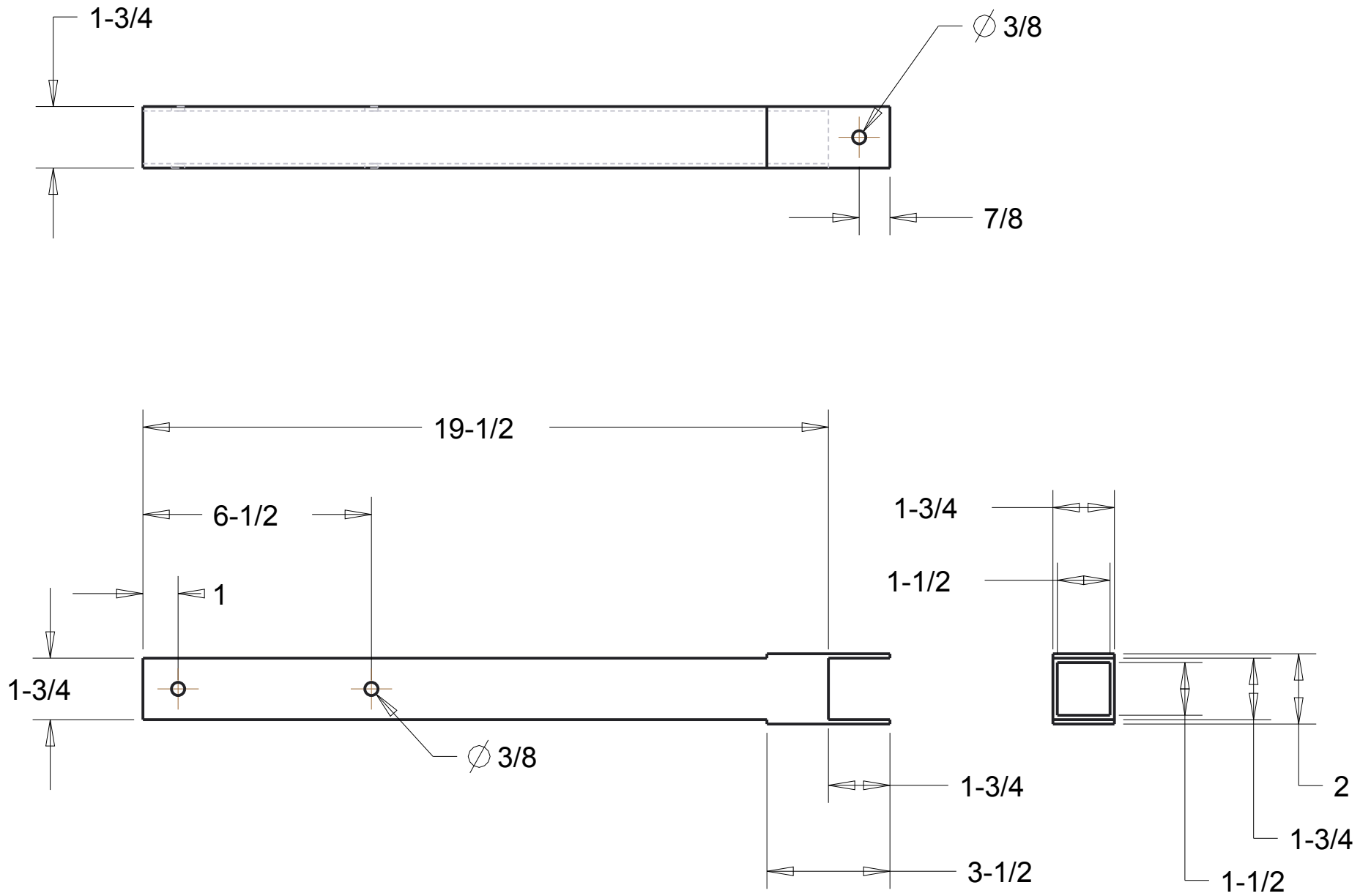
His Wheels International Trailer
 Olivet Nazarene University
 Bourbonnais, IL 60914

UNLESS OTHERWISE SPECIFIED, DIMENSIONS ARE IN INCHES. TOLERANCES ARE:
 .X ± .05 ANGLES: ± 1°
 .XX ± .005 FRACTIONS: ± 1/16
 .XXX ± .001
 DO NOT TAKE MEASUREMENTS FROM DRAWING

Author: DAVID POWERS
 Revision:
 Date: Apr-01-15

Part Number: 0006
 Assembly:
 Reviewed:

RECEIVER
 Scale: 0.450
 Page:



His Wheels International Trailer
 Olivet Nazarene University
 Bourbonnais, IL 60914

UNLESS OTHERWISE SPECIFIED, DIMENSIONS
 ARE IN INCHES. TOLERANCES ARE:
 .X \pm .05 ANGLES: $\pm 1^\circ$
 .XX \pm .005 FRACTIONS: $\pm 1/16$
 .XXX \pm .001
 DO NOT TAKE MEASUREMENTS FROM DRAWING

Author: DAVID POWERS

Part Number: 0007

Revision:

Assembly:

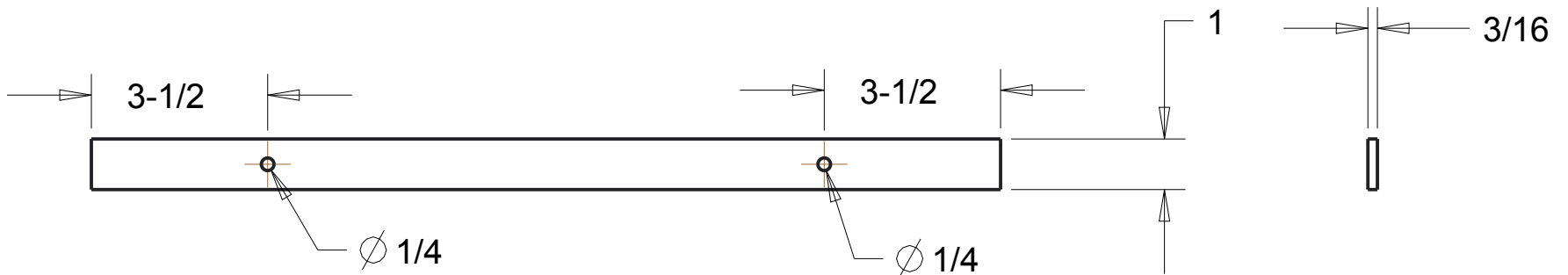
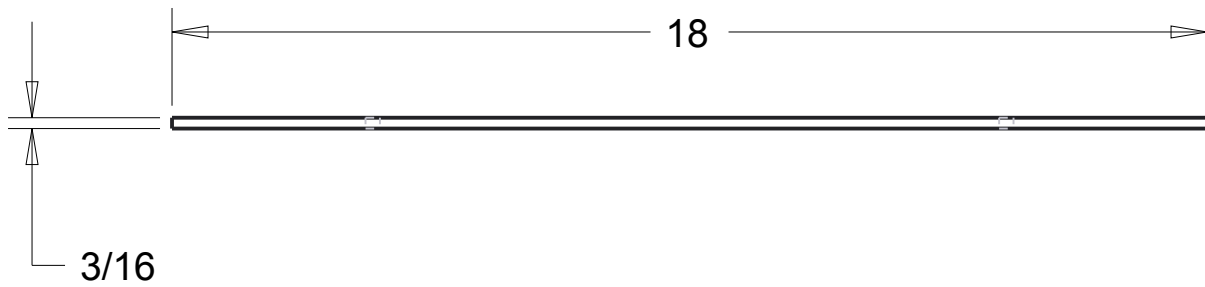
Date: Apr-01-15

Reviewed:

TONGUE

Scale: 0.250

Page:



His Wheels International Trailer
 Olivet Nazarene University
 Bourbonnais, IL 60914

UNLESS OTHERWISE SPECIFIED, DIMENSIONS
 ARE IN INCHES. TOLERANCES ARE:
 .X \pm .05 ANGLES: $\pm 1^\circ$
 .XX \pm .005 FRACTIONS: $\pm 1/16$
 .XXX \pm .001
 DO NOT TAKE MEASUREMENTS FROM DRAWING

Author: DAVID POWERS

Part Number: 0008

Revision:

Assembly:

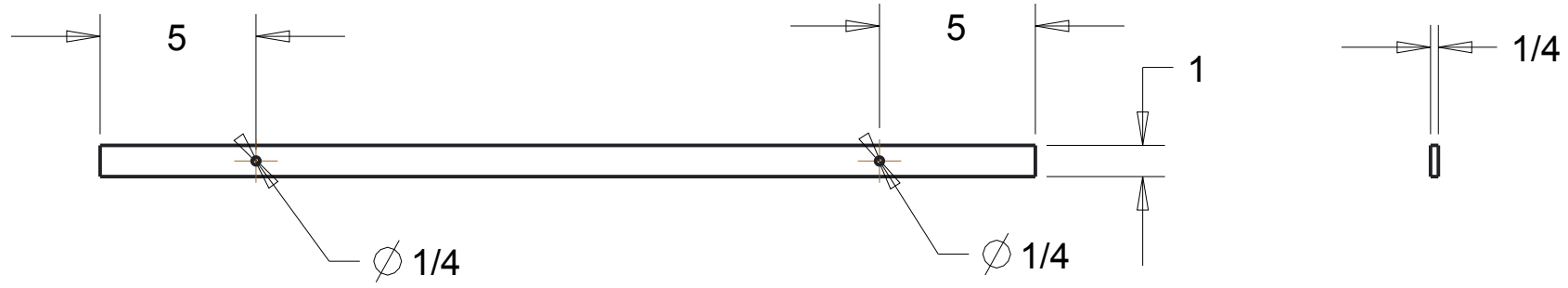
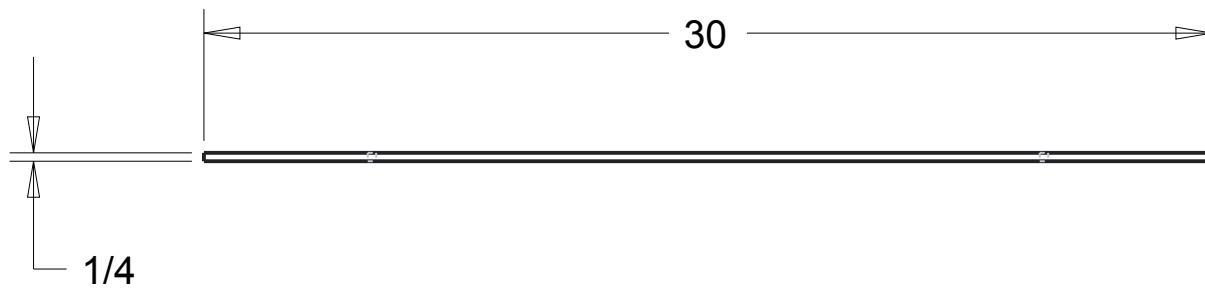
Date: Apr-02-15

Reviewed:

BOTTOM FLATSTOCK

Scale: 0.300

Page:



His Wheels International Trailer
 Olivet Nazarene University
 Bourbonnais, IL 60914

UNLESS OTHERWISE SPECIFIED, DIMENSIONS
 ARE IN INCHES. TOLERANCES ARE:
 .X ± .05 ANGLES: ± 1°
 .XX ± .005 FRACTIONS: ± 1/16
 .XXX ± .001
 DO NOT TAKE MEASUREMENTS FROM DRAWING

Author: DAVID POWERS

Revision:

Date: Apr-02-15

Part Number: 0009

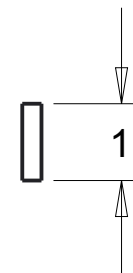
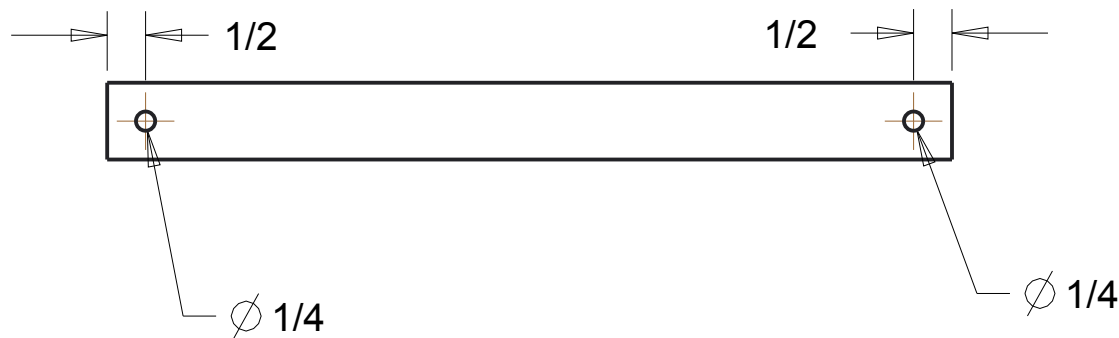
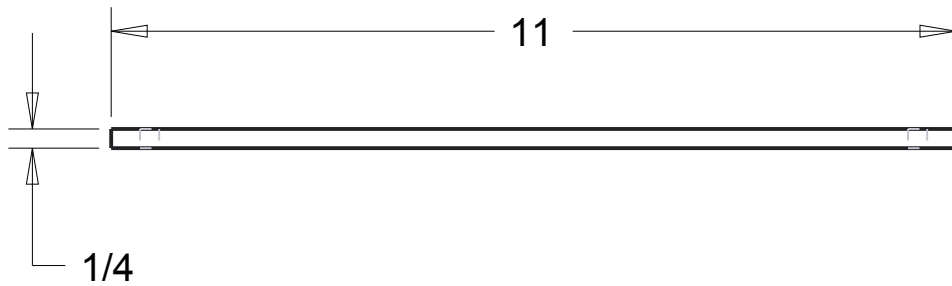
Assembly:

Reviewed:

SIDE FLATSTOCK

Scale: 0.175

Page:



His Wheels International Trailer
 Olivet Nazarene University
 Bourbonnais, IL 60914

UNLESS OTHERWISE SPECIFIED, DIMENSIONS
 ARE IN INCHES. TOLERANCES ARE:
 .X \pm .05 ANGLES: $\pm 1^\circ$
 .XX \pm .005 FRACTIONS: $\pm 1/16$
 .XXX \pm .001
 DO NOT TAKE MEASUREMENTS FROM DRAWING

Author: DAVID POWERS

Revision:

Date: Apr-02-15

Part Number: 0010

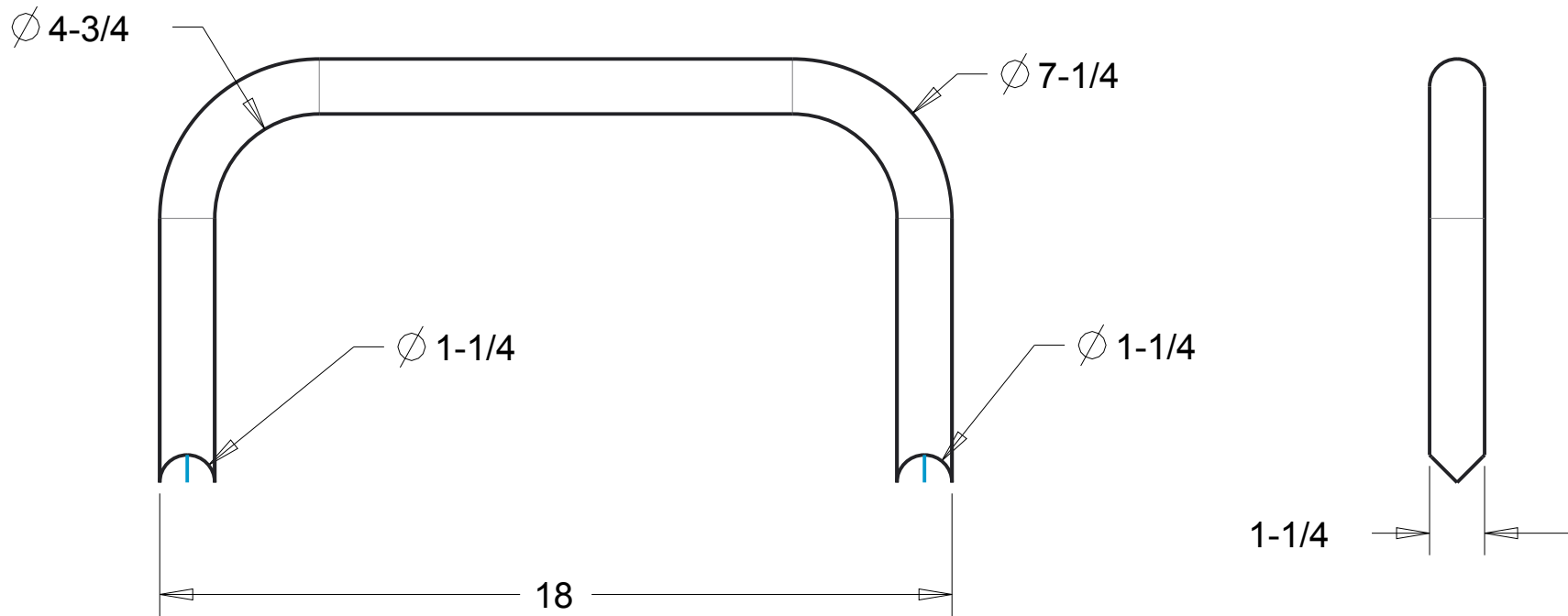
Assembly:

Reviewed:

SMALL SIDE PLATES

Scale: 0.400

Page:



His Wheels International Trailer
 Olivet Nazarene University
 Bourbonnais, IL 60914

UNLESS OTHERWISE SPECIFIED, DIMENSIONS
 ARE IN INCHES. TOLERANCES ARE:
 .X ± .05 ANGLES: ± 1°
 .XX ± .005 FRACTIONS: ± 1/16
 .XXX ± .001
 DO NOT TAKE MEASUREMENTS FROM DRAWING

Author: DAVID POWERS

Part Number: 0011

Revision:

Assembly:

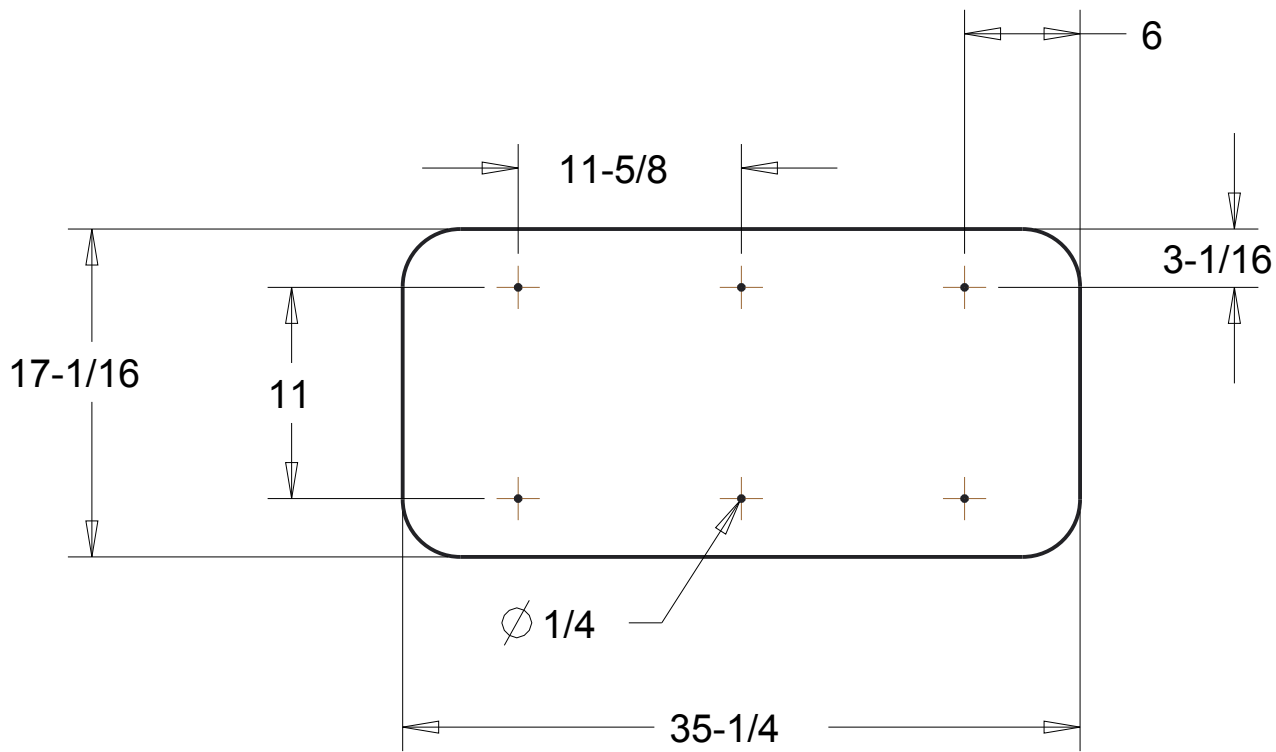
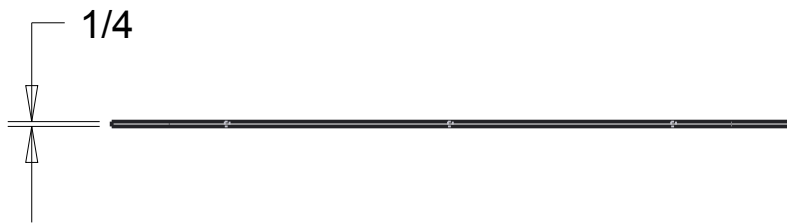
Date: Apr-02-15

Reviewed:

HANDLE BAR

Scale: 0.250

Page:



His Wheels International Trailer
 Olivet Nazarene University
 Bourbonnais, IL 60914

UNLESS OTHERWISE SPECIFIED, DIMENSIONS
 ARE IN INCHES. TOLERANCES ARE:
 .X ± .05 ANGLES: ± 1°
 .XX ± .005 FRACTIONS: ± 1/16
 .XXX ± .001
 DO NOT TAKE MEASUREMENTS FROM DRAWING

Author: DAVID POWERS

Part Number: 0012

Revision:

Assembly:

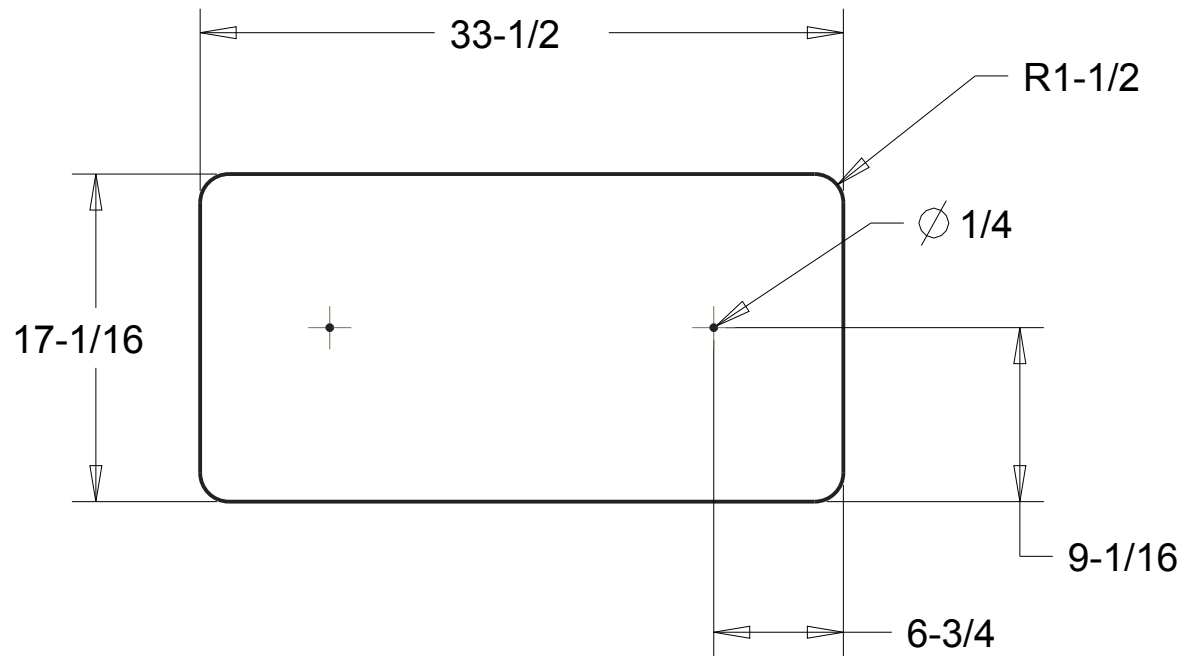
Date: Apr-07-15

Reviewed:

BOTTOM BED

Scale: 0.100

Page:



His Wheels International Trailer
 Olivet Nazarene University
 Bourbonnais, IL 60914

UNLESS OTHERWISE SPECIFIED, DIMENSIONS
 ARE IN INCHES. TOLERANCES ARE:
 .X ± .05 ANGLES: ± 1°
 .XX ± .005 FRACTIONS: ± 1/16
 .XXX ± .001
 DO NOT TAKE MEASUREMENTS FROM DRAWING

Author: DAVID POWERS

Part Number: 0013

Revision:

Assembly:

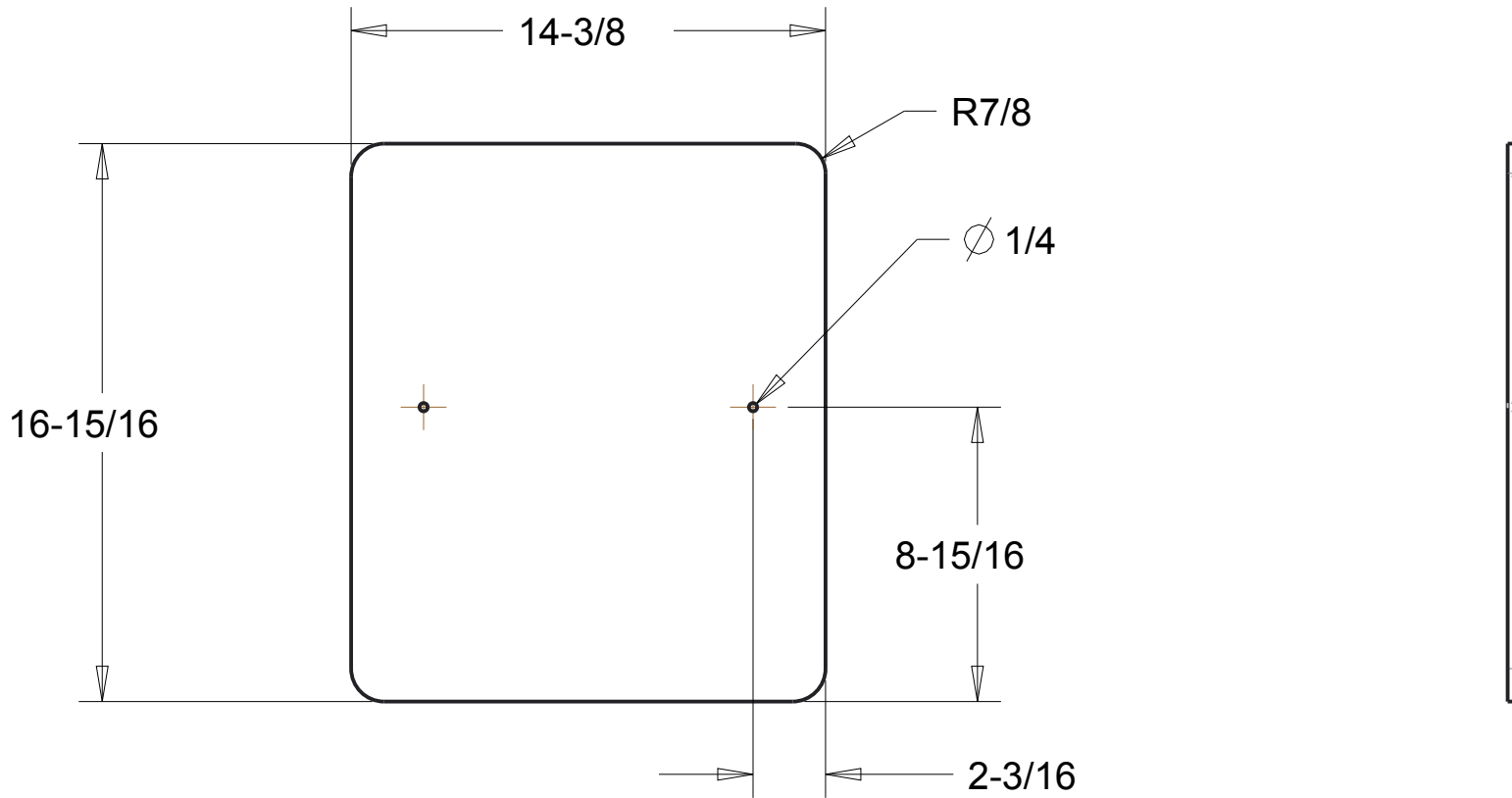
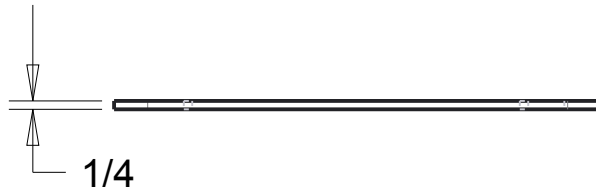
Date: Apr-07-15

Reviewed:

SIDE PLATES

Scale: 0.100

Page:



His Wheels International Trailer
 Olivet Nazarene University
 Bourbonnais, IL 60914

UNLESS OTHERWISE SPECIFIED, DIMENSIONS
 ARE IN INCHES. TOLERANCES ARE:
 .X ± .05 ANGLES: ± 1°
 .XX ± .005 FRACTIONS: ± 1/16
 .XXX ± .001
 DO NOT TAKE MEASUREMENTS FROM DRAWING

Author: DAVID POWERS

Part Number: 0014

Revision:

Assembly:

Date: Apr-07-15

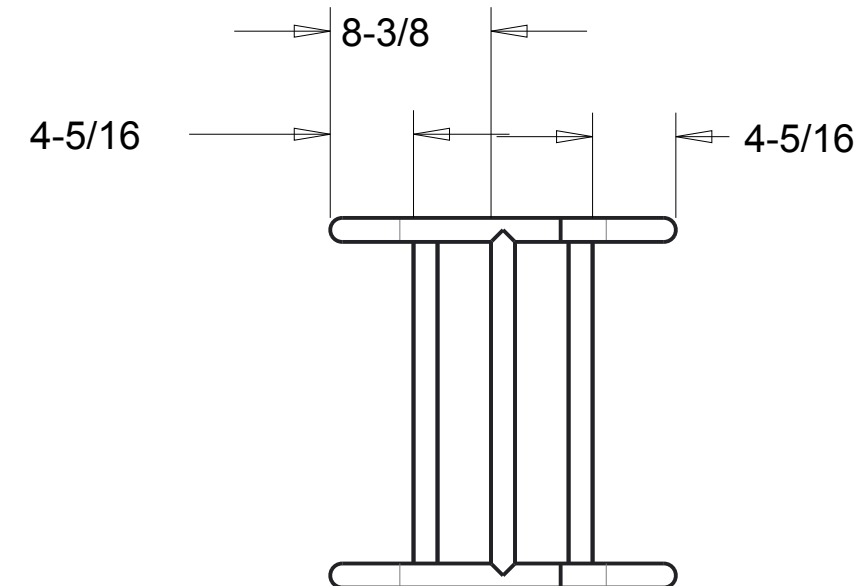
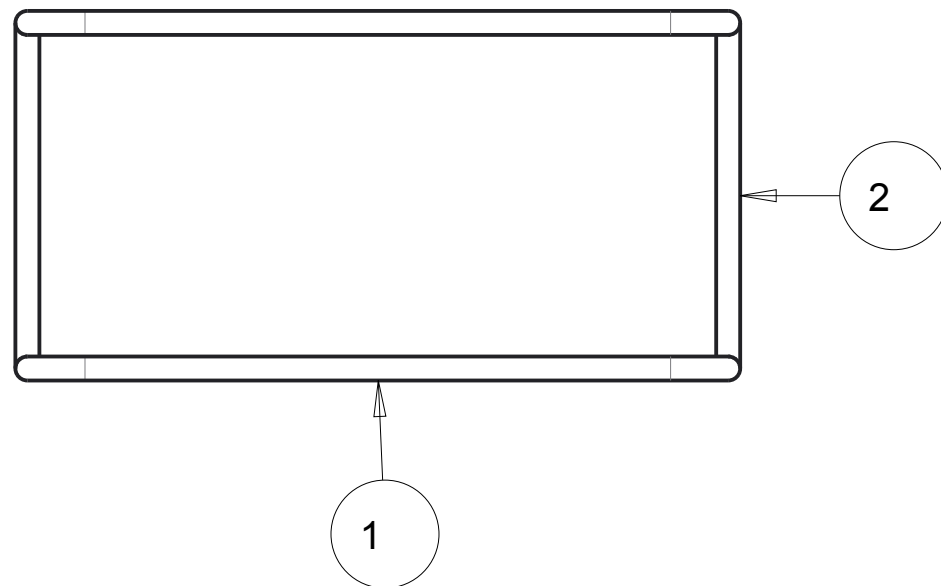
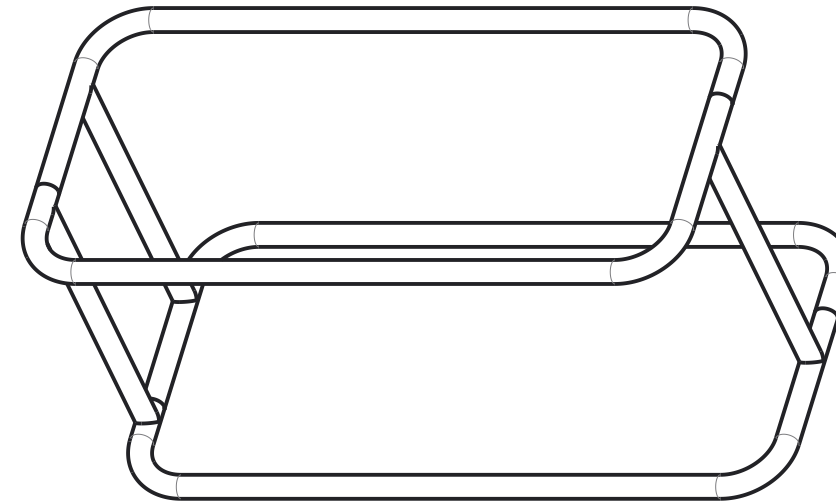
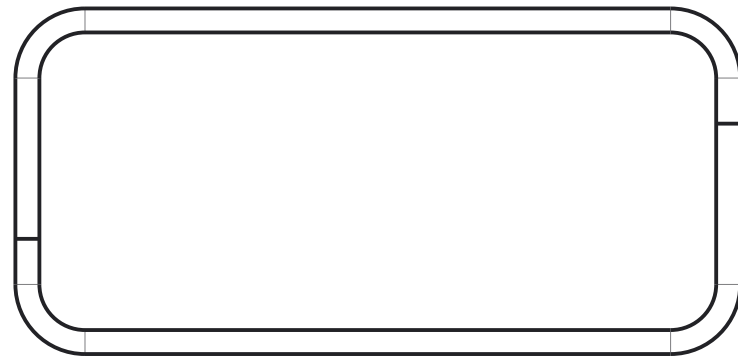
Reviewed:

SMALL SIDE PLATE

Scale: 0.175

Page:

ITEM NO	PART NUMBER	QTY	DESCRIPTION
1	TRAILER_FRAME_1	4	trailer_frame_1.prt
2	VERTICAL_SUPPORT	3	vertical_support.prt



His Wheels International
Olivet Nazarene University
Bourbonnais, IL 60914

UNLESS OTHERWISE SPECIFIED, DIMENSIONS ARE IN INCHES. TOLERANCES ARE:
.X ± .05 ANGLES: ± 1°
.XX ± .005 FRACTIONS: ± 1/16
.XXX ± .001
DO NOT TAKE MEASUREMENTS FROM DRAWING

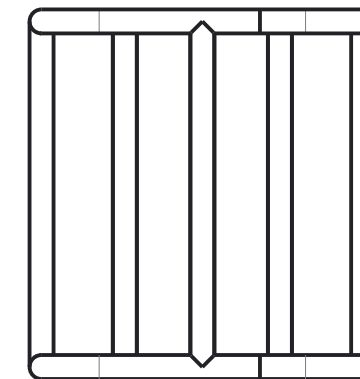
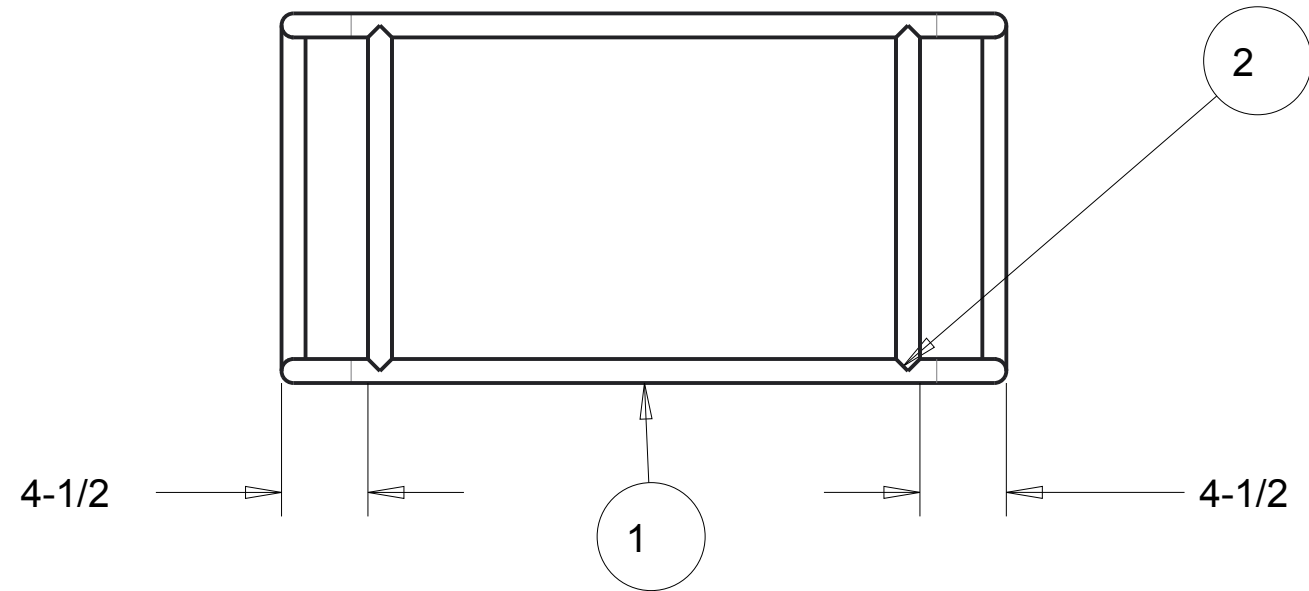
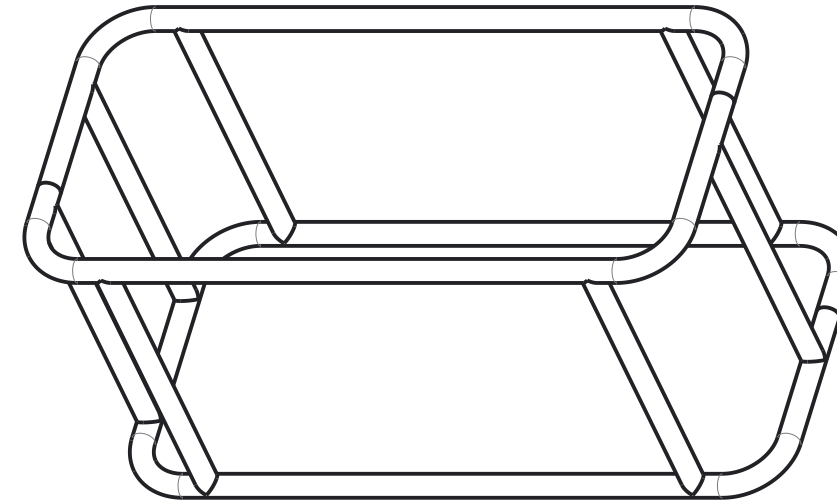
Author: DAVID POWERS
Revision: 2
Date: Apr-08-15

Part Number: 0015
Assembly:
Reviewed:

FRAME ASSEMBLY 1

Scale: 0.100 Page:

ITEM NO	PART NUMBER	QTY	DESCRIPTION
1	FRAME_ASSEMBLY_1	1	frame_assembly.asm
2	VERTICAL_SUPPORT	4	vertical_support.prt



His Wheels International
Olivet Nazarene University
Bourbonnais, IL 60914

UNLESS OTHERWISE SPECIFIED, DIMENSIONS ARE IN INCHES. TOLERANCES ARE:
.X ± .05 ANGLES: ± 1°
.XX ± .005 FRACTIONS: ± 1/16
.XXX ± .001
DO NOT TAKE MEASUREMENTS FROM DRAWING

Author: DAVID POWERS
Revision: 2
Date: Apr-08-15

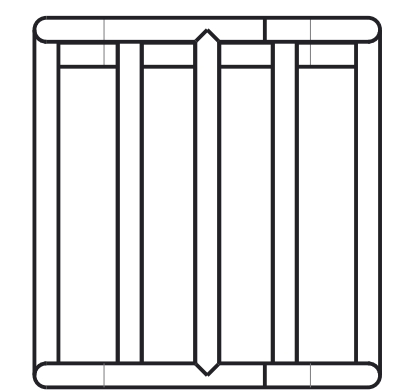
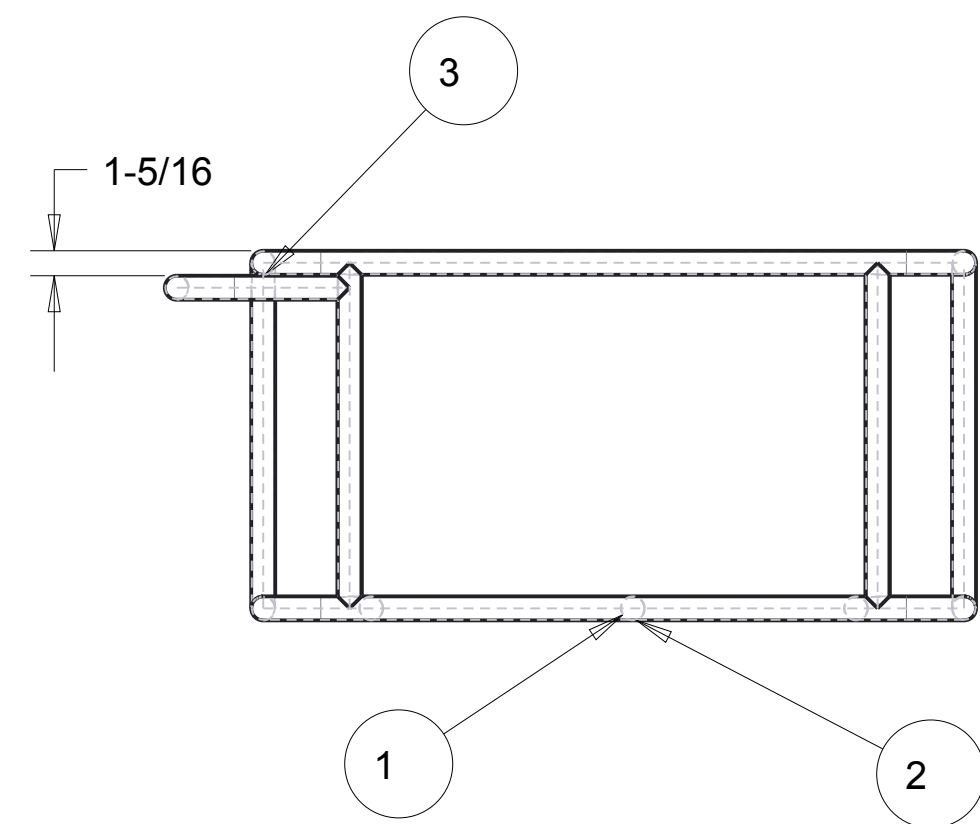
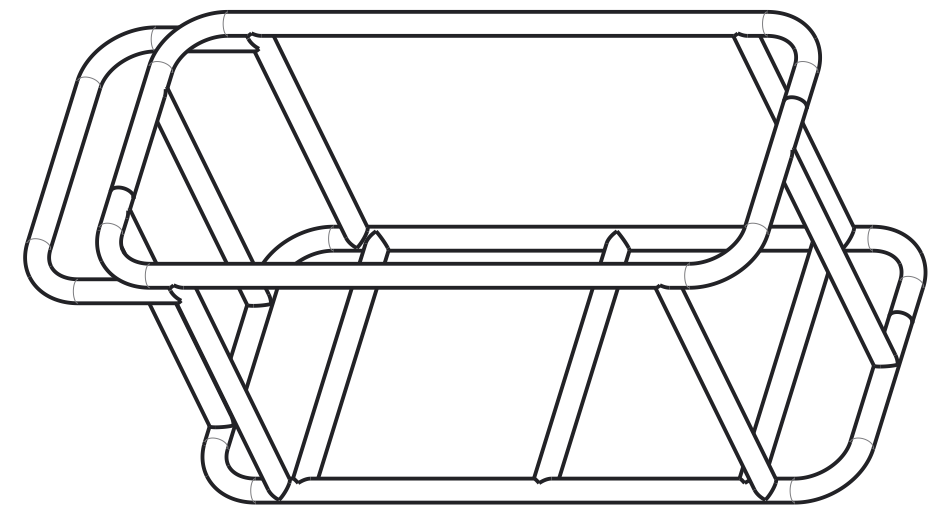
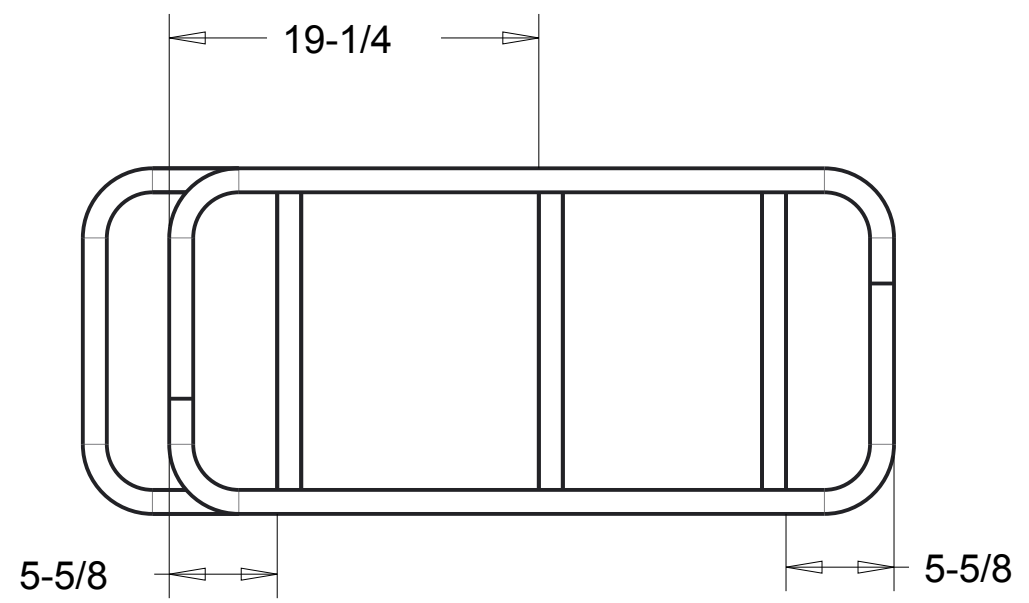
Part Number: 0016
Assembly:
Reviewed:

FRAME ASSEMBLY 2

Scale: 0.100

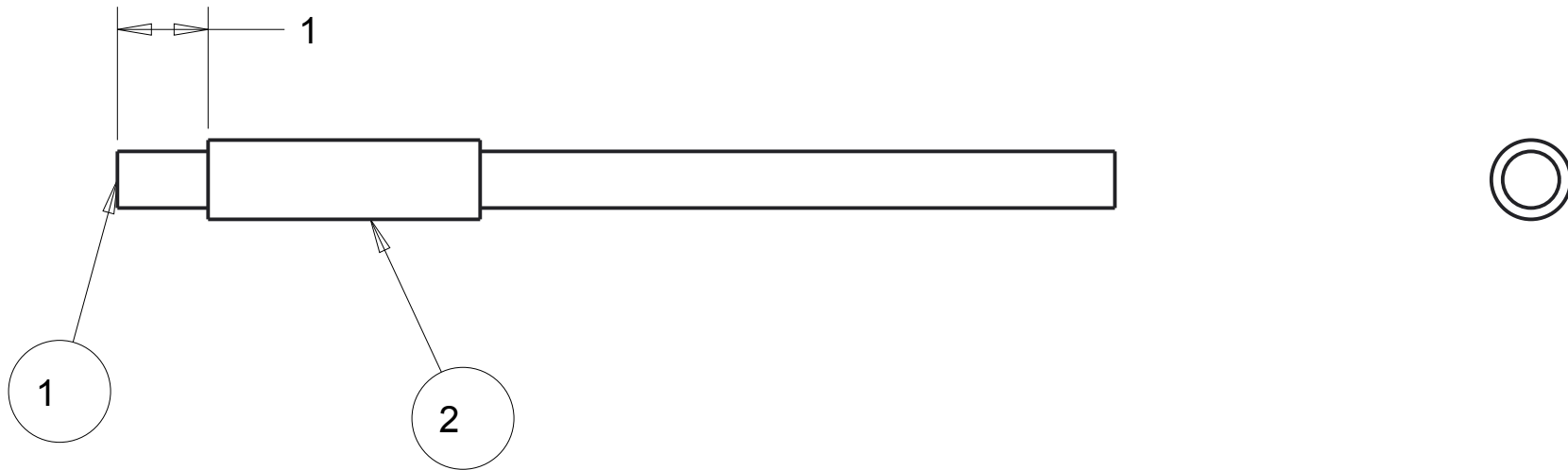
Page:

ITEM NO	PART NUMBER	QTY	DESCRIPTION
1	AXLE	3	axle.prt
2	FRAME_ASSEMBLY_2	1	frame_assembly_2.asm
3	HANDLE_BAR	1	prt0001.prt



His Wheels International Olivet Nazarene University Bourbonnais, IL 60914	UNLESS OTHERWISE SPECIFIED, DIMENSIONS ARE IN INCHES. TOLERANCES ARE: .X ± .05 ANGLES: ± 1° .XX ± .005 FRACTIONS: ± 1/16 .XXX ± .001 DO NOT TAKE MEASUREMENTS FROM DRAWING	Author: DAVID POWERS	Part Number: 0017	FRAME_ASSEMBLY_3
		Revision: 2	Assembly:	
		Date: Apr-08-15	Reviewed:	

ITEM NO	PART NUMBER	QTY	DESCRIPTION
1	WHEEL_AXLE	1	wheel_axle.prt
2	WHEEL_AXLE_SLEEVE	1	wheel_axle_sleeve.prt



His Wheels International Trailer
 Olivet Nazarene University
 Bourbonnais, IL 60914

UNLESS OTHERWISE SPECIFIED, DIMENSIONS
 ARE IN INCHES. TOLERANCES ARE:
 .X ± .05 ANGLES: ± 1°
 .XX ± .005 FRACTIONS: ± 1/16
 .XXX ± .001
 DO NOT TAKE MEASUREMENTS FROM DRAWING

Author: DAVID POWERS

Part Number: 0018

Revision:

Assembly:

Date: Apr-07-15

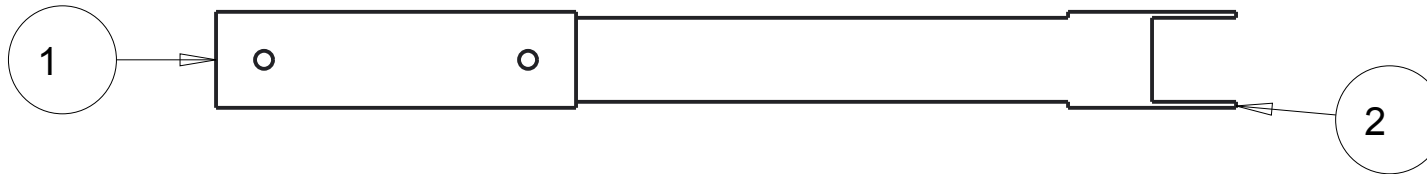
Reviewed:

WHEEL AXLE ASSEMBLY

Scale: 0.500

Page:

ITEM NO	PART NUMBER	QTY	DESCRIPTION
1	RECEIVER	1	receiver.prt
2	TONGUE	1	tongue.prt



His Wheels International Trailer
 Olivet Nazarene University
 Bourbonnais, IL 60914

UNLESS OTHERWISE SPECIFIED, DIMENSIONS
 ARE IN INCHES. TOLERANCES ARE:
 .X ± .05 ANGLES: ± 1°
 .XX ± .005 FRACTIONS: ± 1/16
 .XXX ± .001
 DO NOT TAKE MEASUREMENTS FROM DRAWING

Author: DAVID POWERS

Part Number: 0019

Revision:

Assembly:

Date: Apr-07-15

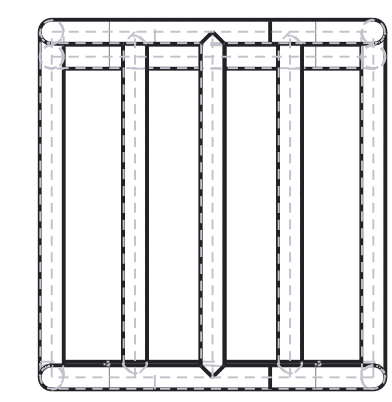
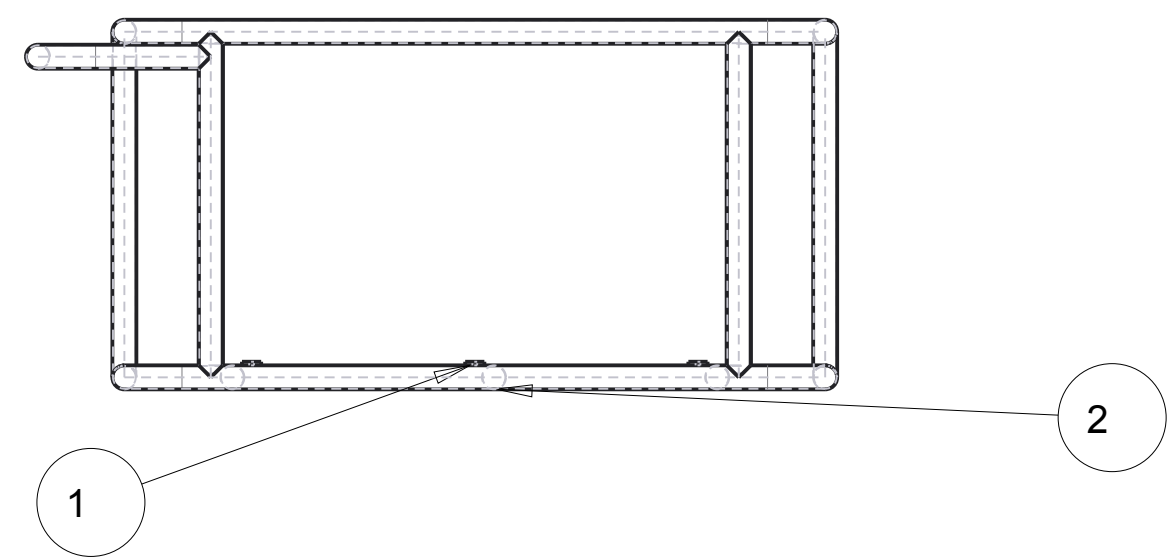
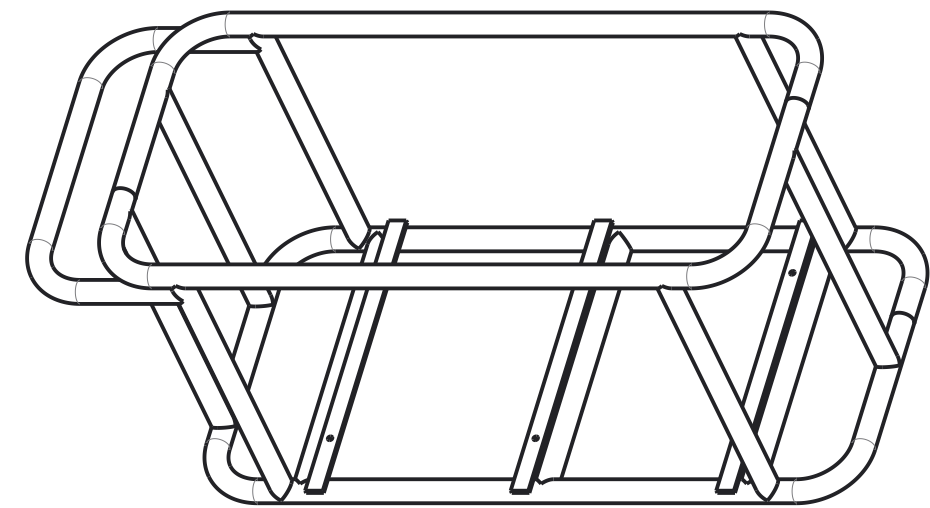
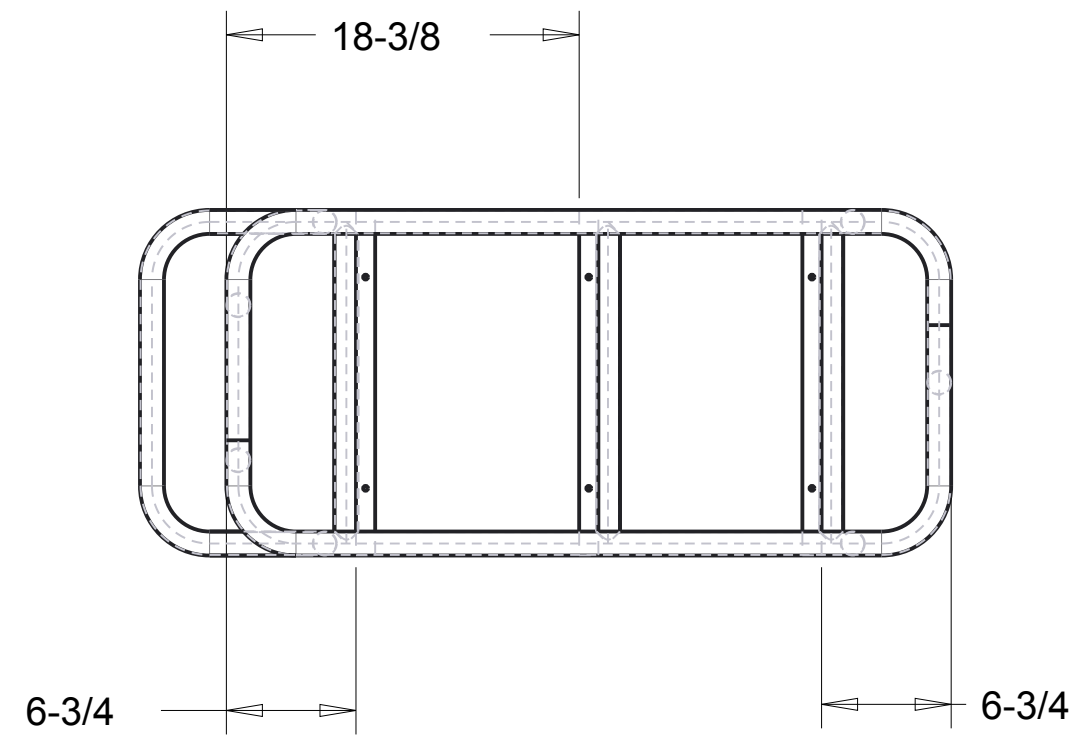
Reviewed:

HITCHING ASSEMBLY

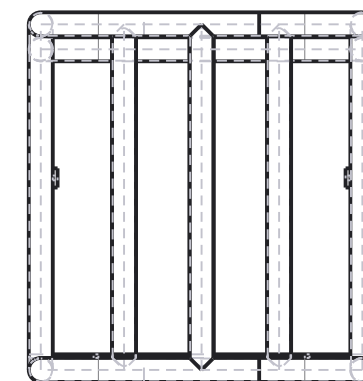
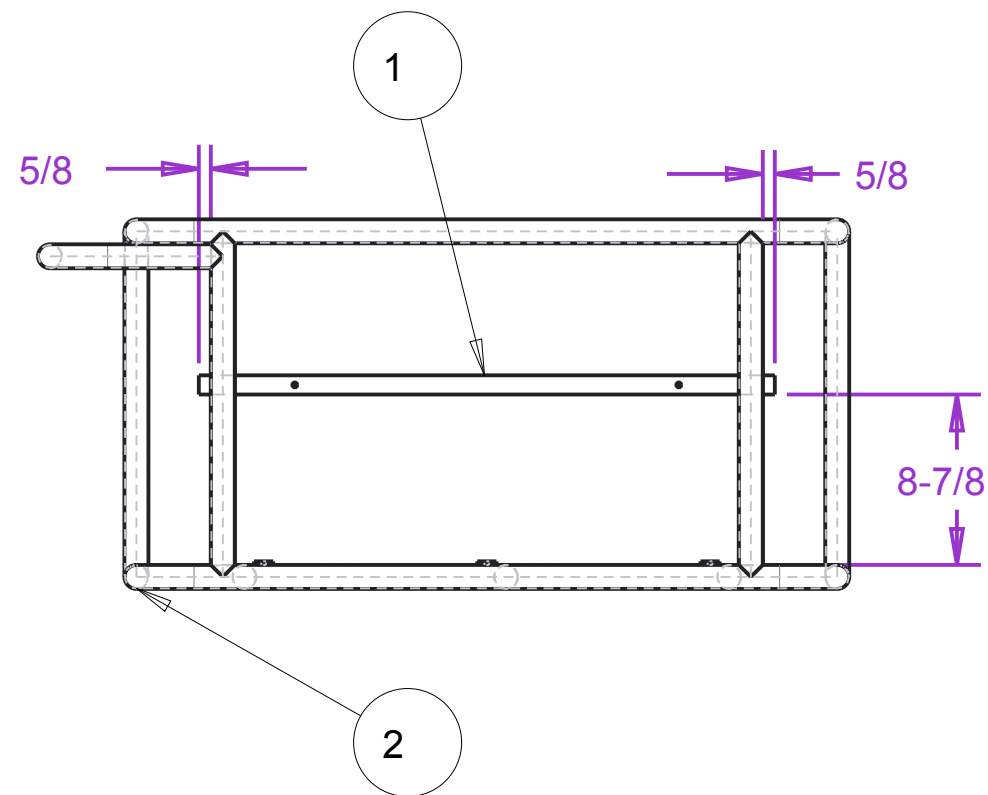
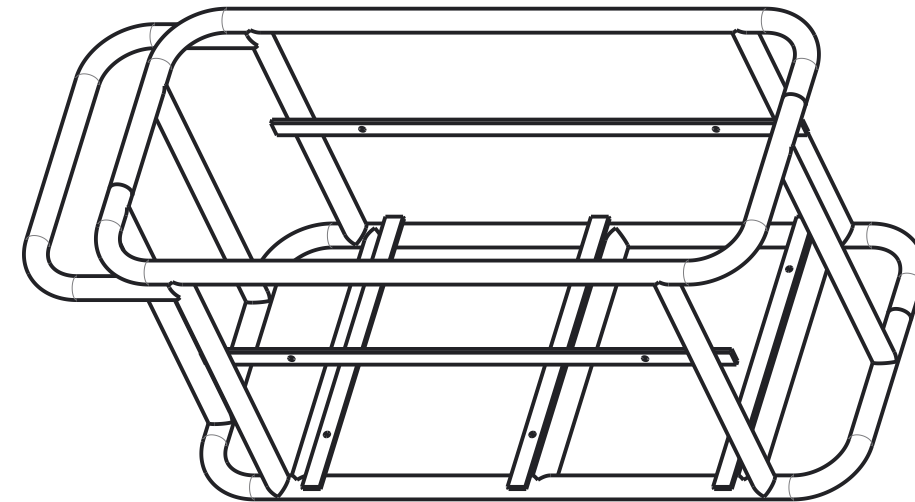
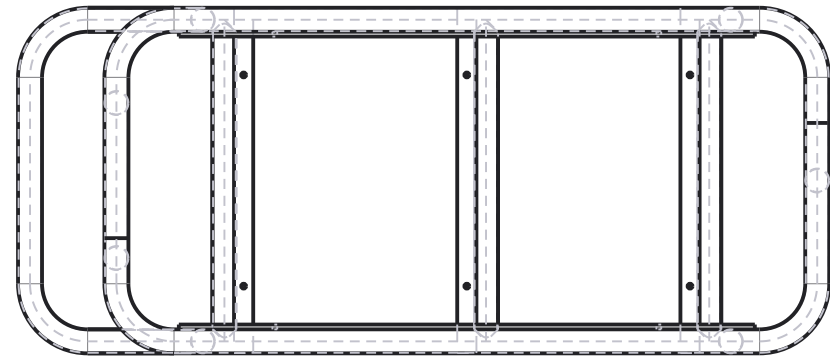
Scale: 0.250

Page:

ITEM NO	PART NUMBER	QTY	DESCRIPTION
1	FLAT_STOCK_BOTTOM	3	flat_stock_bottom.prt
2	FRAME_ASSEMBLY_3	1	frame_assembly_3.asm



ITEM NO	PART NUMBER	QTY	DESCRIPTION
1	FLAT_STOCK_SIDE	2	flat_stock_side.prt
2	FRAME_FLATSTOCK_ASSEMBLY	1	frame_flatstock_assembly.asm



His Wheels International
Olivet Nazarene University
Bourbonnais, IL 60914

UNLESS OTHERWISE SPECIFIED, DIMENSIONS ARE IN INCHES. TOLERANCES ARE:
.X ± .05 ANGLES: ± 1°
.XX ± .005 FRACTIONS: ± 1/16
.XXX ± .001
DO NOT TAKE MEASUREMENTS FROM DRAWING

Author: DAVID POWERS

Revision:

Date: Apr-07-15

Part Number: 0021

Assembly:

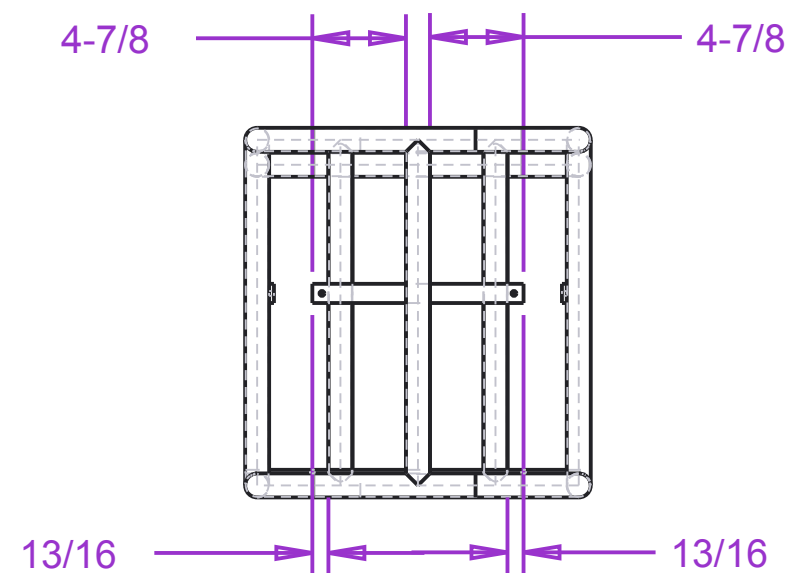
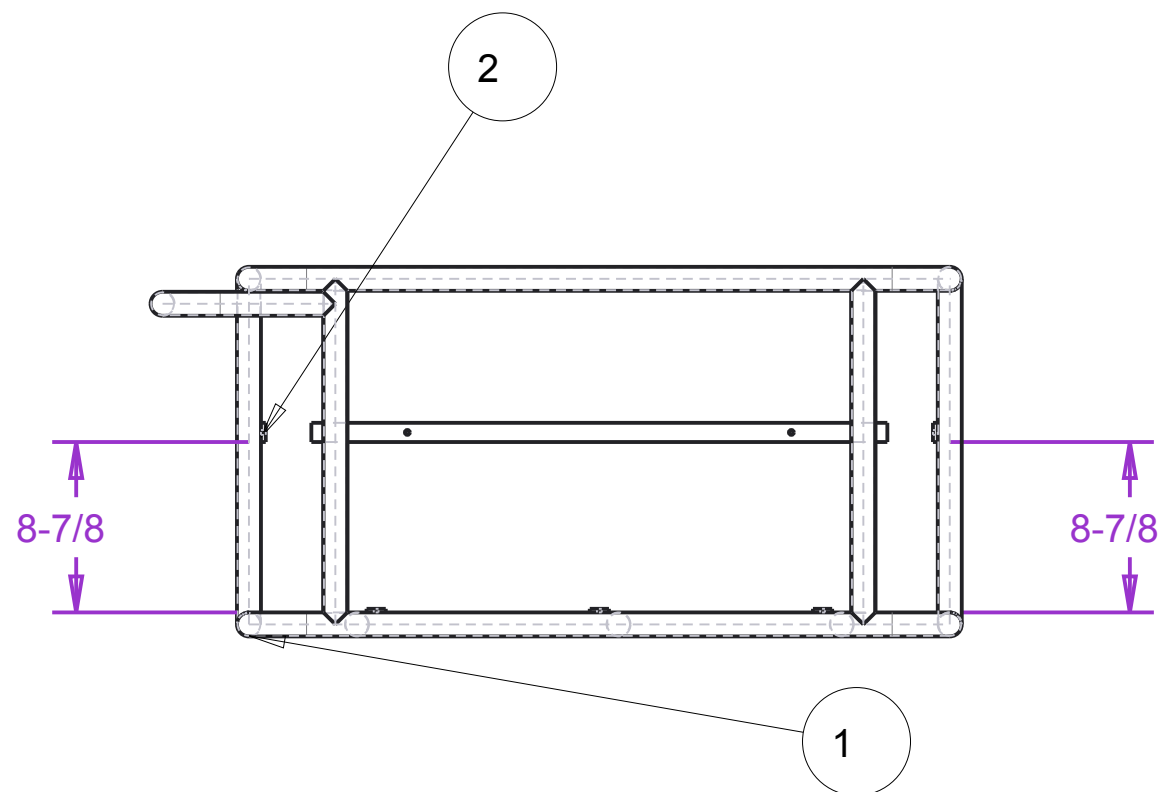
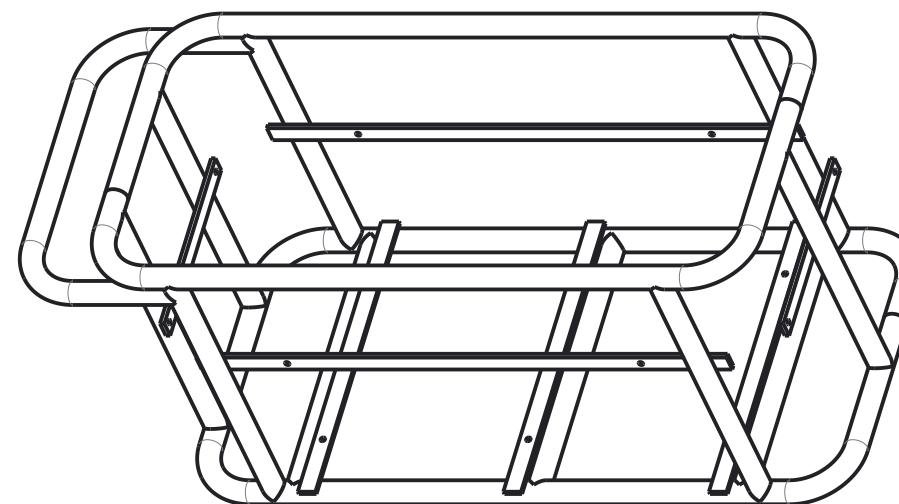
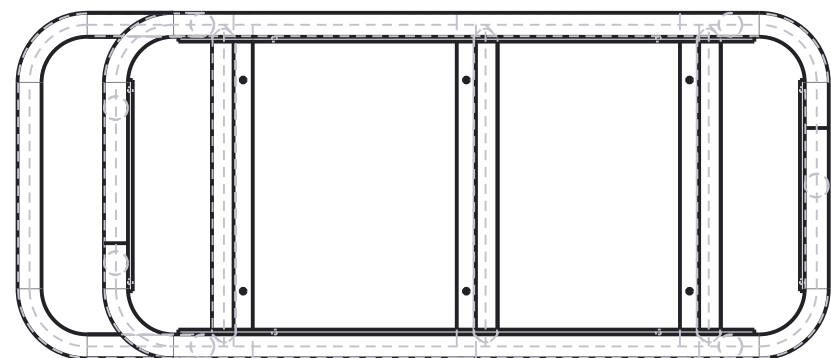
Reviewed:

FRAME FLATSTOCK ASSEMBLY 2

Scale: 0.100

Page:

ITEM NO	PART NUMBER	QTY	DESCRIPTION
1	FRAME_FLATSTOCK_ASSEMBLY2	1	frame_flatstock_assembly2.asm
2	SMALL_SIDE_PLATES	2	small_side_plates.prt



His Wheels International
 Olivet Nazarene University
 Bourbonnais, IL 60914

UNLESS OTHERWISE SPECIFIED, DIMENSIONS ARE IN INCHES. TOLERANCES ARE:
 .X ± .05 ANGLES: ± 1°
 .XX ± .005 FRACTIONS: ± 1/16
 .XXX ± .001
 DO NOT TAKE MEASUREMENTS FROM DRAWING

Author: DAVID POWERS

Revision:

Date: Apr-07-15

Part Number: 0022

Assembly:

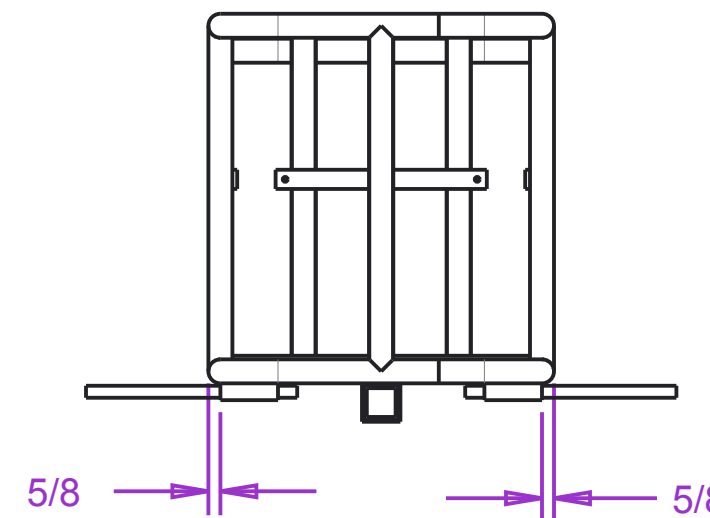
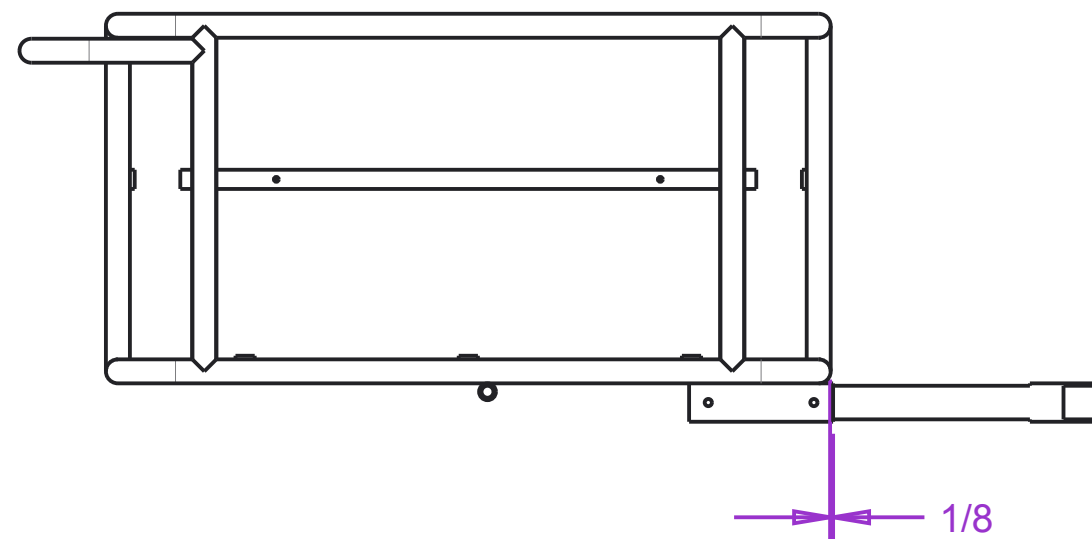
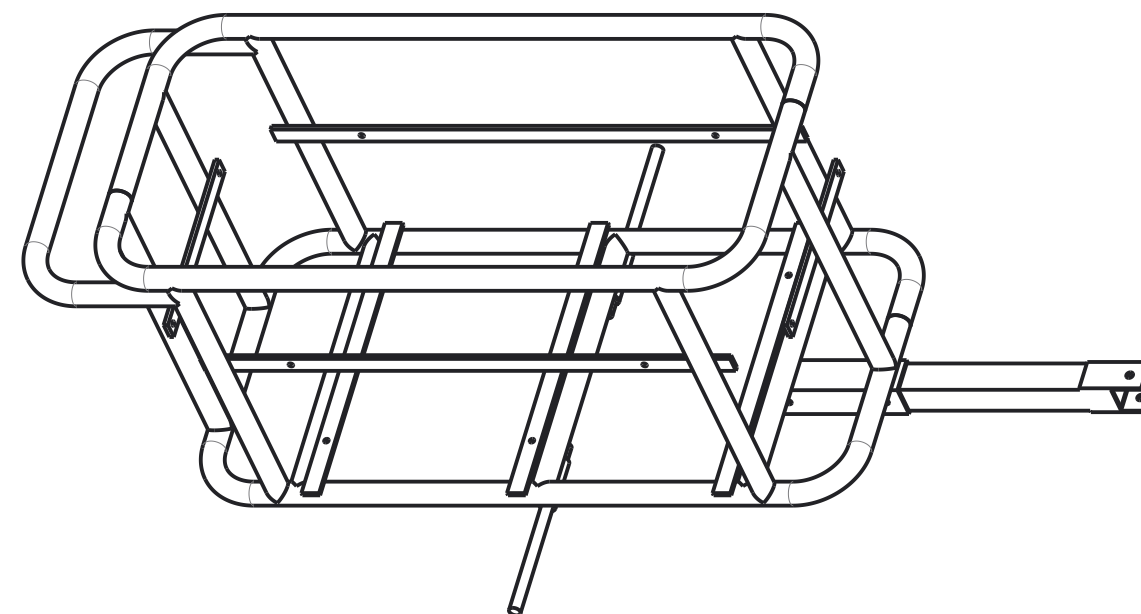
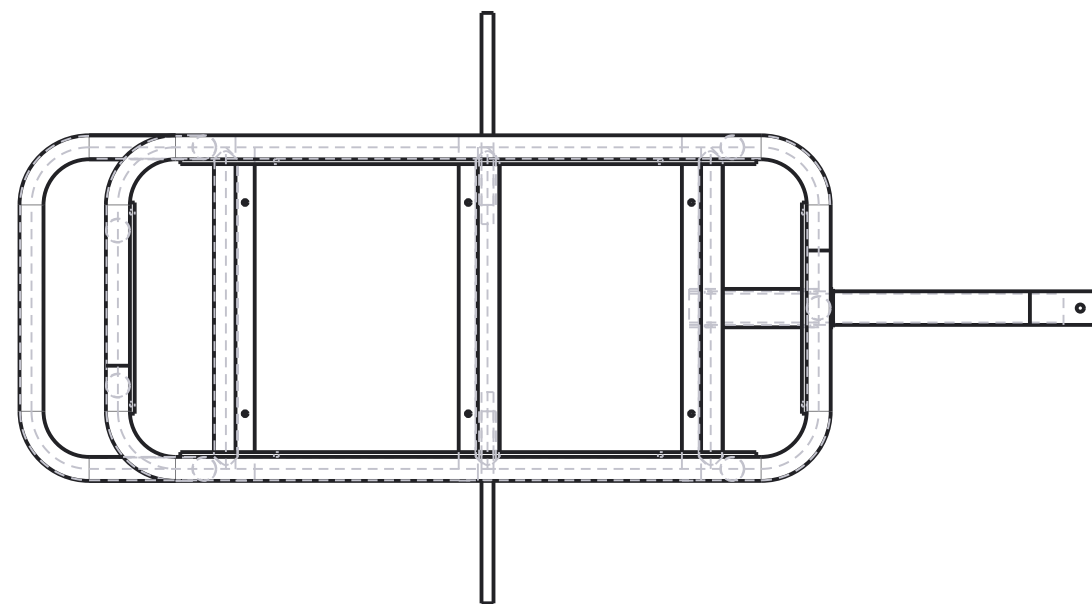
Reviewed:

FRAME FLATSTOCK ASSEMBLY 3

Scale: 0.100

Page:

ITEM NO	PART NUMBER	QTY	DESCRIPTION
1	FRAME_FLATSTOCK_ASSEMBLY3	1	frame_flatstock_assembly3.asm
2	HITCHING_ASSEMBLY	1	hitching_assembly.asm
3	WHEEL_AXLE_ASSEMBLY	2	wheel_axle_assembly.asm



His Wheels International
 Olivet Nazarene University
 Bourbonnais, IL 60914

UNLESS OTHERWISE SPECIFIED, DIMENSIONS ARE IN INCHES. TOLERANCES ARE:
 .X ± .05 ANGLES: ± 1°
 .XX ± .005 FRACTIONS: ± 1/16
 .XXX ± .001
 DO NOT TAKE MEASUREMENTS FROM DRAWING

Author: DAVID POWERS

Revision:

Date: Apr-07-15

Part Number: 0023

Assembly:

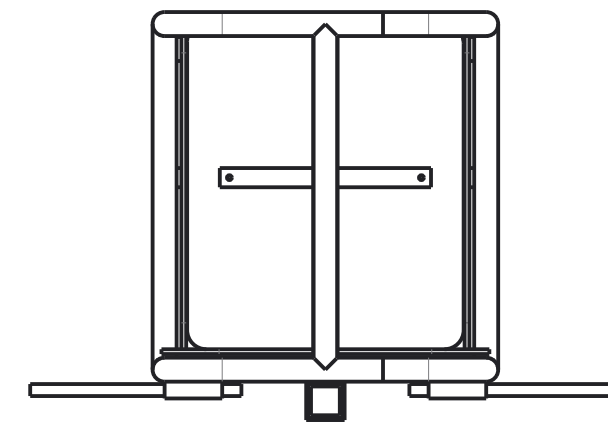
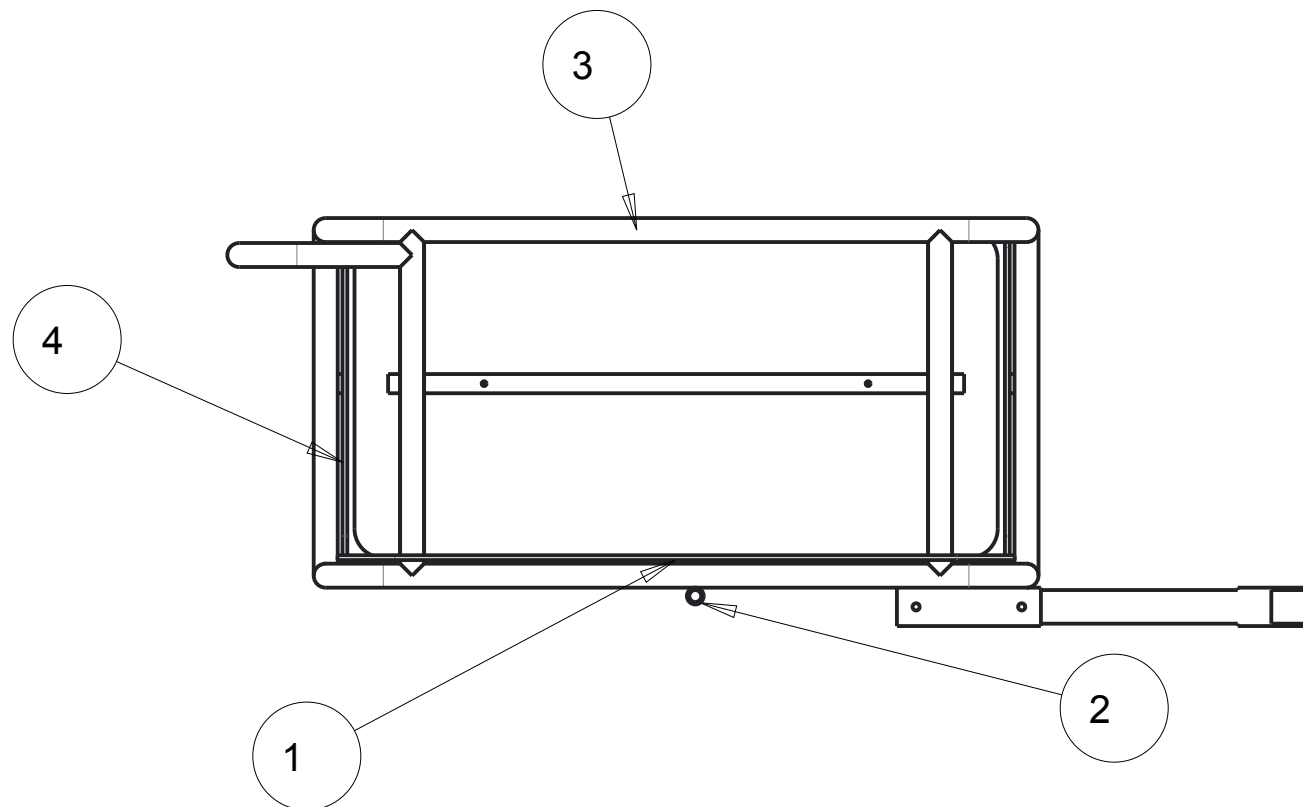
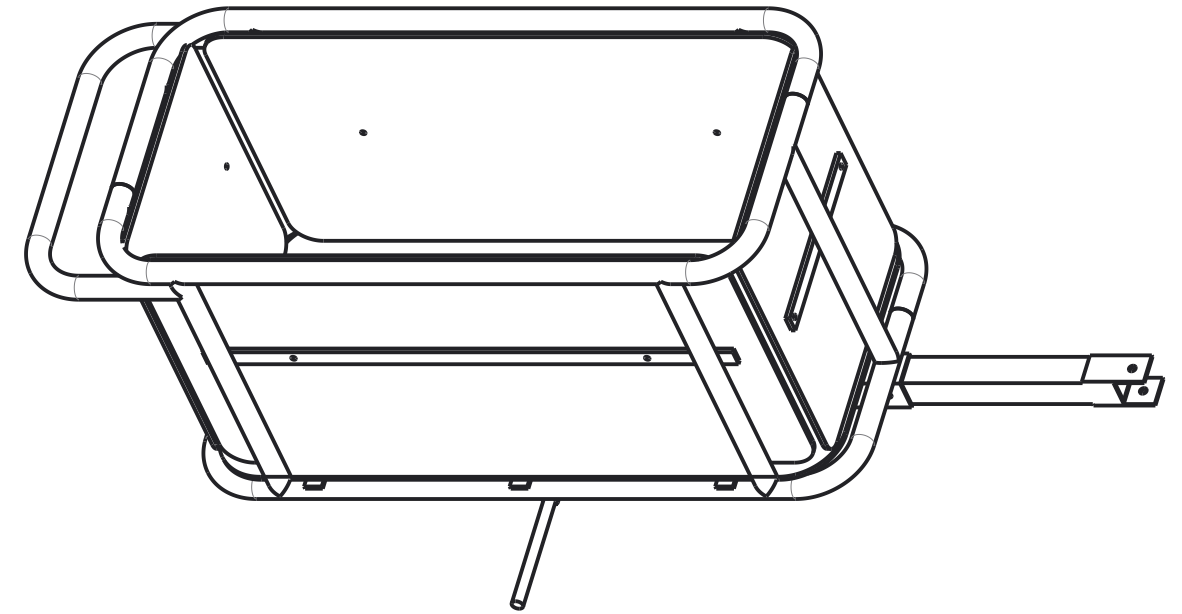
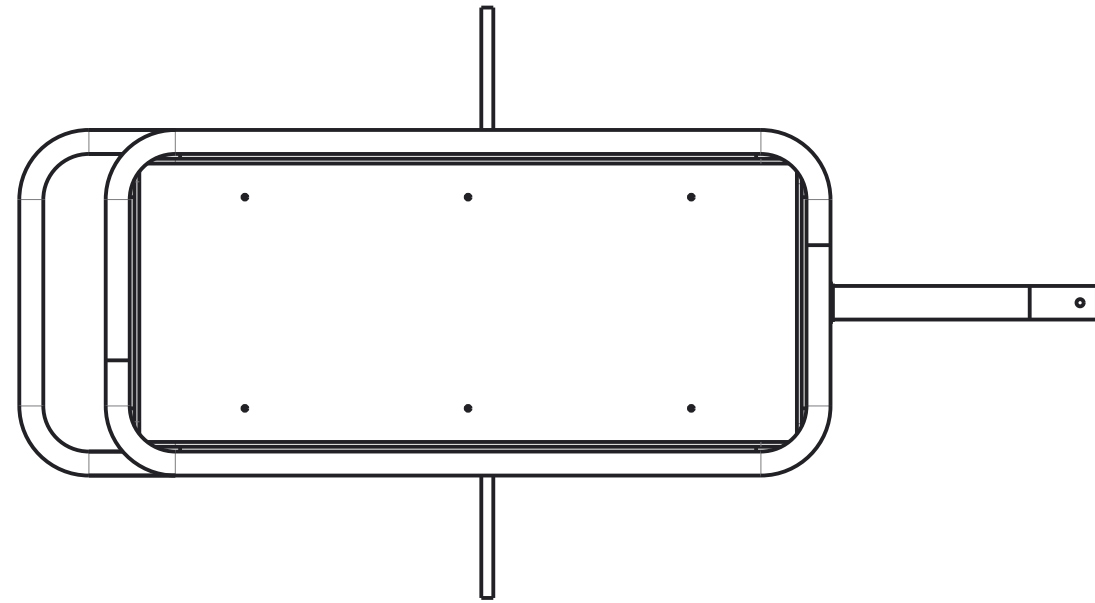
Reviewed:

FULL FRAME

Scale: 0.100

Page:

ITEM NO	PART NUMBER	QTY	DESCRIPTION
1	FLAT_BED	1	flat_bed.prt
2	FULL_FRAME	1	full_frame.asm
3	SIDE_PLATES	2	side_plates.prt
4	SMALL_SIDE_PLATE	2	small_side_plate.prt



His Wheels International
Olivet Nazarene University
Bourbonnais, IL 60914

UNLESS OTHERWISE SPECIFIED, DIMENSIONS ARE IN INCHES. TOLERANCES ARE:
.X ± .05 ANGLES: ± 1°
.XX ± .005 FRACTIONS: ± 1/16
.XXX ± .001
DO NOT TAKE MEASUREMENTS FROM DRAWING

Author: DAVID POWERS
Revision:
Date: Apr-07-15

Part Number: 0024
Assembly:
Reviewed:

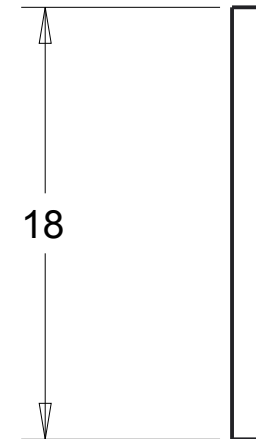
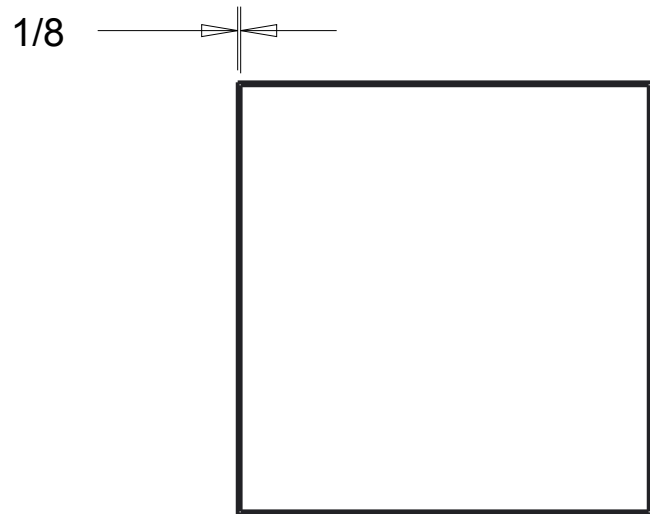
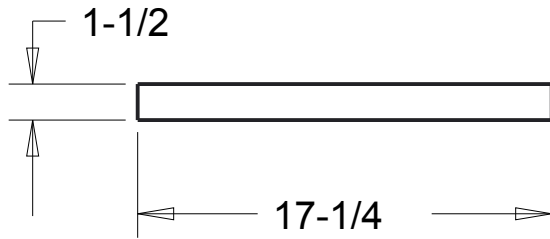
FULL TRAILER

Scale: 0.100 Page:

Under-Seat Part Index

Trailer Parts List				
REVISION	DONE	Name	Part #	# of Parts
X	X	Tray Frame	1001	1
X	X	Tray Support Front	1002	1
X	X	Tray Support Back	1003	1
X	X	Tray Plywood	1004	1
X	X	Full Tray	1005	1

Full Tray		
Name	Part #	# of Parts
Tray Frame	1001	1
Tray Support Front	1002	1
Tray Support Back	1003	1
Tray Plywood	1004	1



His Wheels International Trailer
 Olivet Nazarene University
 Bourbonnais, IL 60914

UNLESS OTHERWISE SPECIFIED, DIMENSIONS
 ARE IN INCHES. TOLERANCES ARE:
 .X ± .05 ANGLES: ± 1°
 .XX ± .005 FRACTIONS: ± 1/16
 .XXX ± .001
 DO NOT TAKE MEASUREMENTS FROM DRAWING

Author: DAVID POWERS

Part Number: 1001

Revision: 1

Assembly:

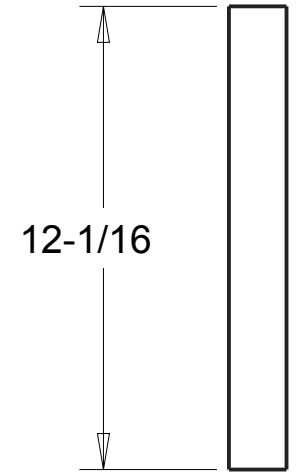
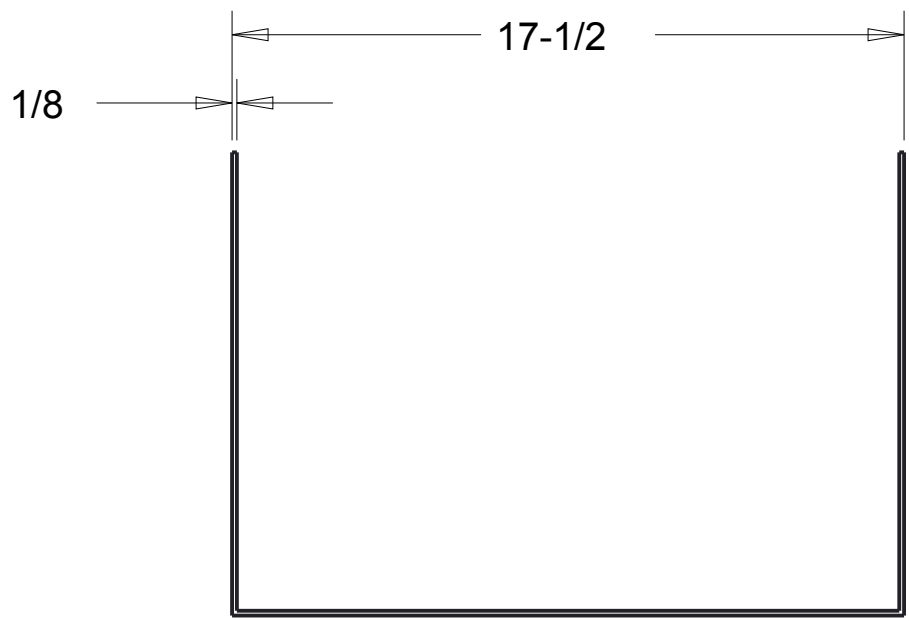
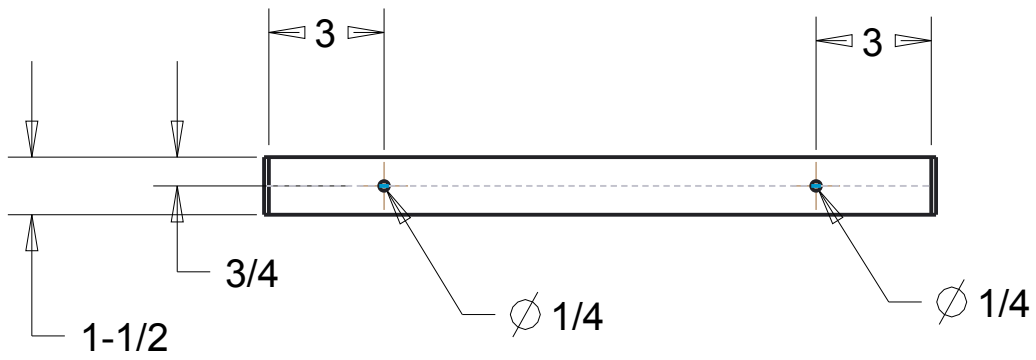
Date: Apr-09-15

Reviewed:

TRAY FRAME

Scale: 0.125

Page:



His Wheels International Trailer
 Olivet Nazarene University
 Bourbonnais, IL 60914

UNLESS OTHERWISE SPECIFIED, DIMENSIONS
 ARE IN INCHES. TOLERANCES ARE:
 .X ± .05 ANGLES: ± 1°
 .XX ± .005 FRACTIONS: ± 1/16
 .XXX ± .001
 DO NOT TAKE MEASUREMENTS FROM DRAWING

Author: DAVID POWERS

Revision: 1

Date: Apr-09-15

Part Number: 1002

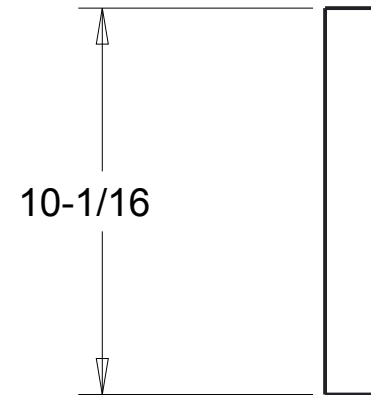
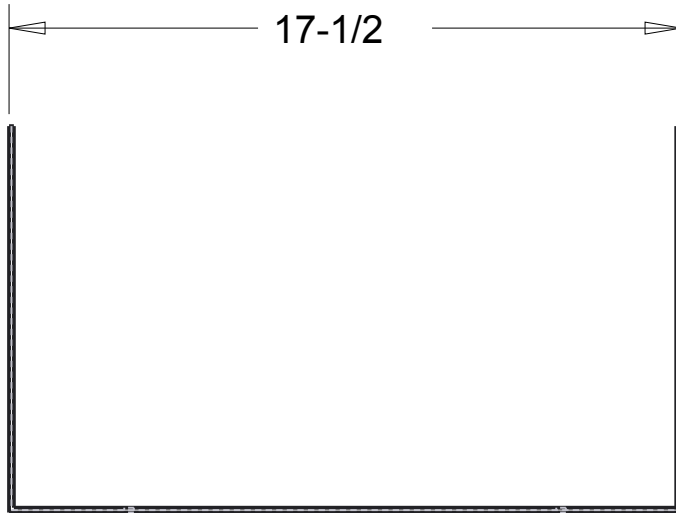
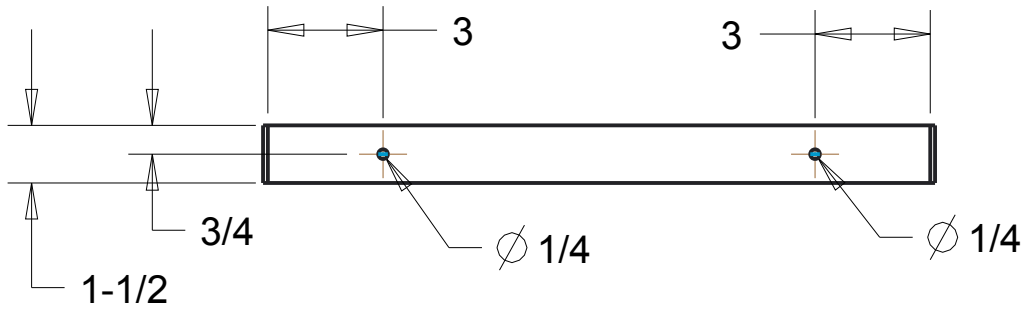
Assembly:

Reviewed:

TRAY SUPPORT FRONT

Scale: 0.200

Page:



His Wheels International Trailer
 Olivet Nazarene University
 Bourbonnais, IL 60914

UNLESS OTHERWISE SPECIFIED, DIMENSIONS
 ARE IN INCHES. TOLERANCES ARE:
 .X ± .05 ANGLES: ± 1°
 .XX ± .005 FRACTIONS: ± 1/16
 .XXX ± .001
 DO NOT TAKE MEASUREMENTS FROM DRAWING

Author: DAVID POWERS

Revision: 1

Date: Apr-09-15

Part Number: 1003

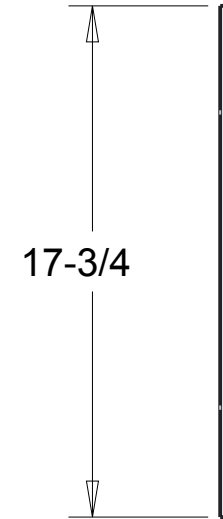
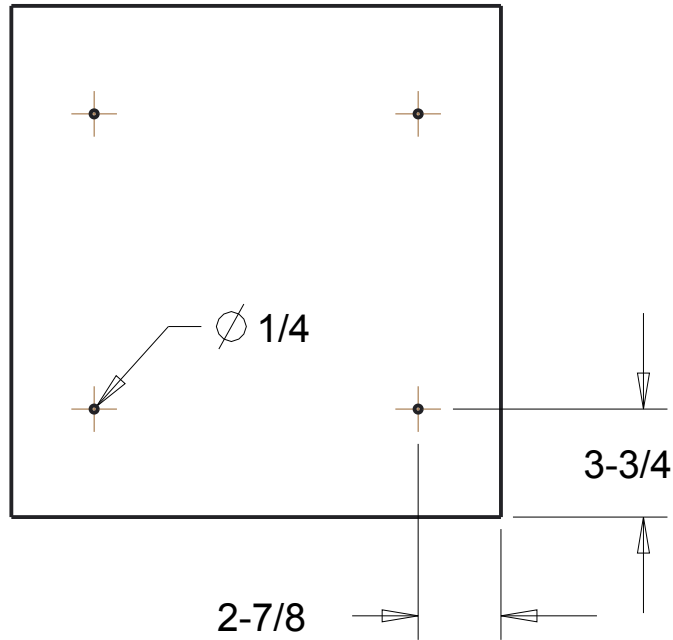
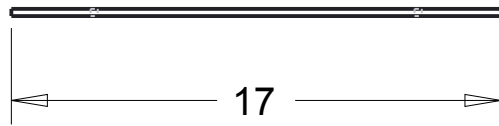
Assembly:

Reviewed:

TRAY SUPPORT BACK

Scale: 0.200

Page:



His Wheels International Trailer
 Olivet Nazarene University
 Bourbonnais, IL 60914

UNLESS OTHERWISE SPECIFIED, DIMENSIONS
 ARE IN INCHES. TOLERANCES ARE:
 .X ± .05 ANGLES: ± 1°
 .XX ± .005 FRACTIONS: ± 1/16
 .XXX ± .001
 DO NOT TAKE MEASUREMENTS FROM DRAWING

Author: DAVID POWERS

Revision: 1

Date: Apr-09-15

Part Number: 1004

Assembly:

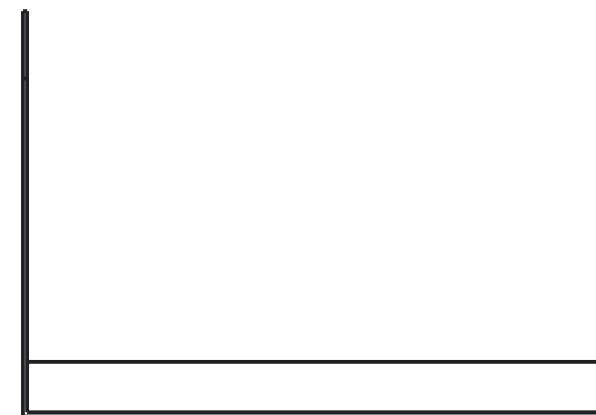
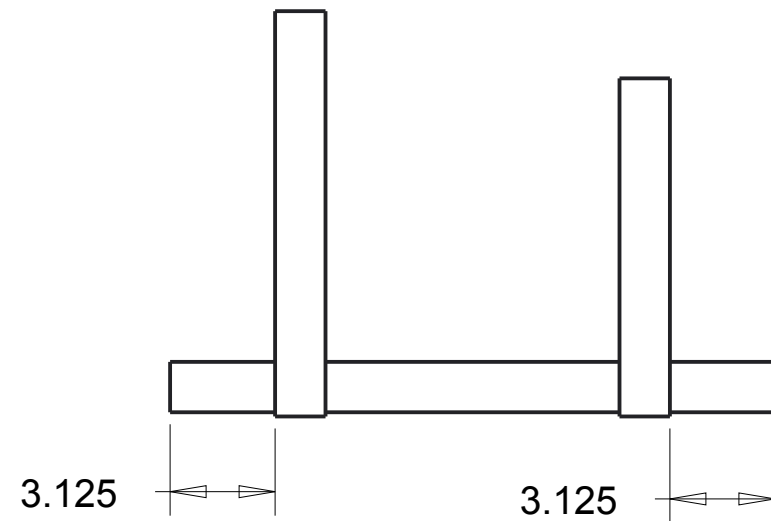
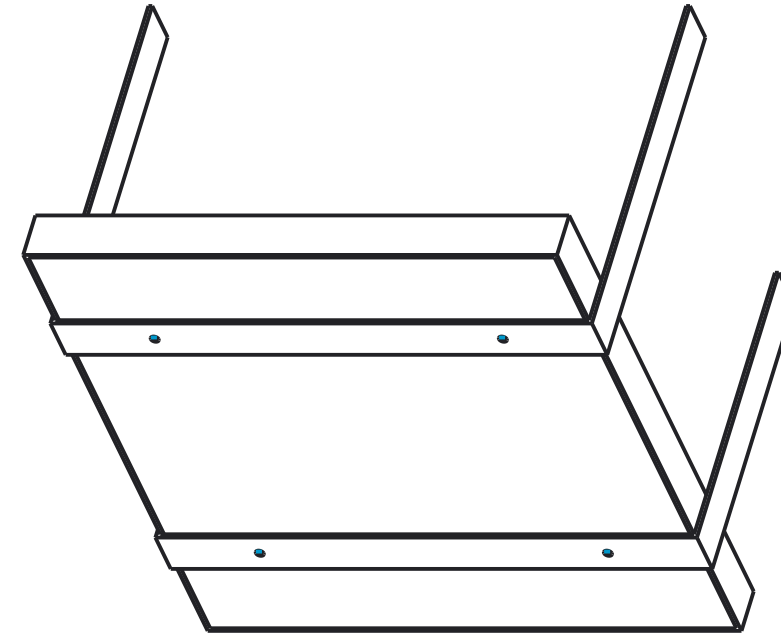
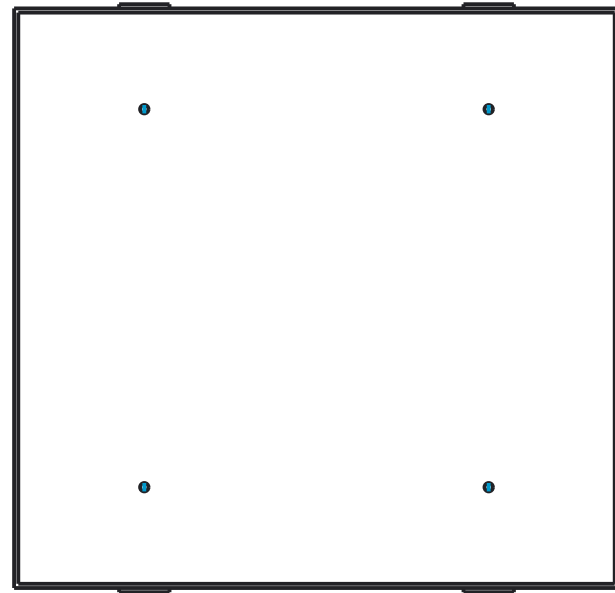
Reviewed:

TRAY PLYWOOD

Scale: 0.150

Page:

ITEM NO	PART NUMBER	QTY	DESCRIPTION
1	TRAY	1	tray.prt
2	TRAY-SUPPORT1	1	tray-support1.prt
3	TRAY-SUPPORT2	1	tray-support2.prt
4	TRAY_PLYWOOD	1	tray_plywood.prt



His Wheels International
 Olivet Nazarene University
 Bourbonnais, IL 60914

UNLESS OTHERWISE SPECIFIED, DIMENSIONS ARE IN INCHES. TOLERANCES ARE:
 .X ± .05 ANGLES: ± 1°
 .XX ± .005 FRACTIONS: ± 1/16
 .XXX ± .001
 DO NOT TAKE MEASUREMENTS FROM DRAWING

Author: DAVID POWERS
 Revision: 1
 Date: Apr-09-15

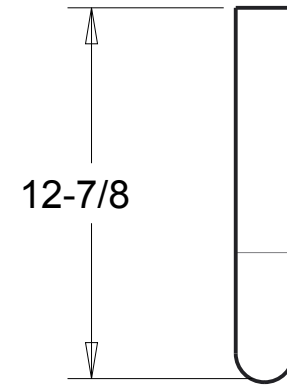
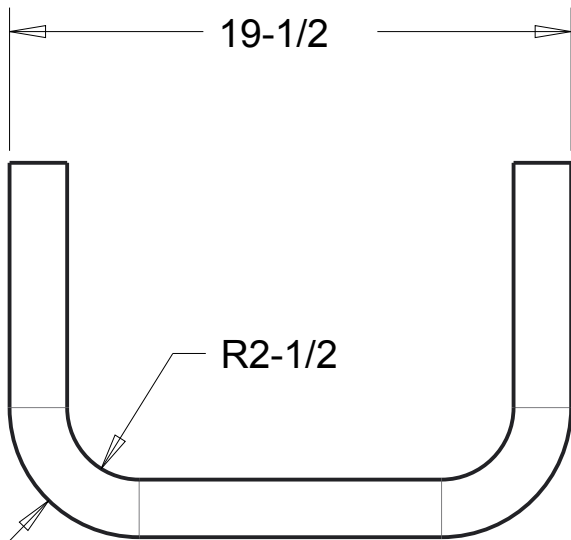
Part Number: 1005
 Assembly:
 Reviewed:

FULL TRAY
 Scale: 0.175 Page:

Back-Seat Part Index

Back Seat Parts List				
REVISION	DONE	Name	Part #	# of Parts
X	X	Seat Back Frame	2001	1
X	X	Seat Bars	2002	1
X	X	Seat Back Bracket	2003	1
X	X	Back Seat Plywood	2004	1
X	X	Full Back Seat	2005	1

Full Back Seat		
Name	Part #	# of Parts
Seat Back frame	2001	1
Seat Bars	2002	1
Seat Back Bracket	2003	1
Back Seat Plywood	2004	1



R4-1/2

19-1/2

R2-1/2

12-7/8

His Wheels International Trailer
 Olivet Nazarene University
 Bourbonnais, IL 60914

UNLESS OTHERWISE SPECIFIED, DIMENSIONS
 ARE IN INCHES. TOLERANCES ARE:
 .X ± .05 ANGLES: ± 1°
 .XX ± .005 FRACTIONS: ± 1/16
 .XXX ± .001
 DO NOT TAKE MEASUREMENTS FROM DRAWING

Author: DAVID POWERS

Part Number: 2001

Revision: 1

Assembly:

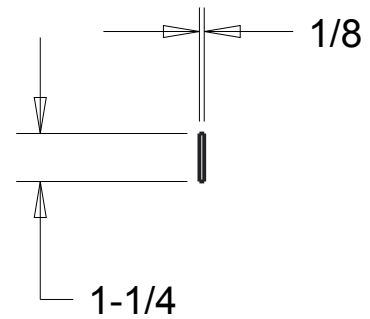
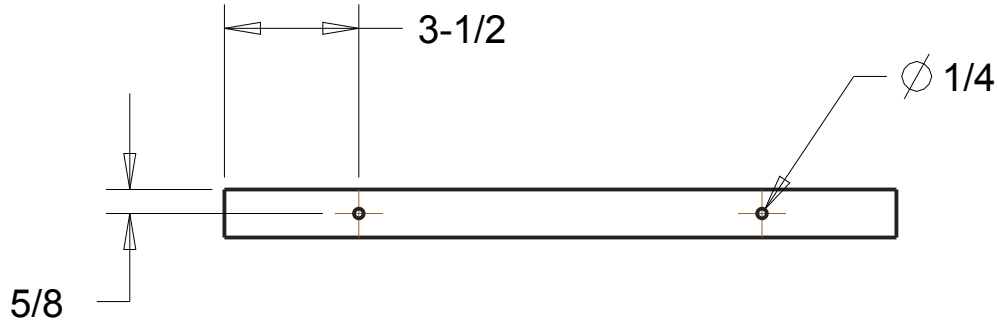
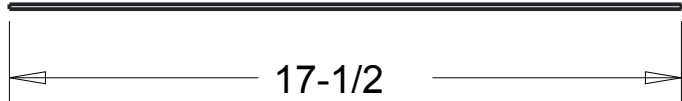
Date: Apr-09-15

Reviewed:

SEAT BACK FRAME

Scale: 0.150

Page:



His Wheels International Trailer
 Olivet Nazarene University
 Bourbonnais, IL 60914

UNLESS OTHERWISE SPECIFIED, DIMENSIONS
 ARE IN INCHES. TOLERANCES ARE:
 .X ± .05 ANGLES: ± 1°
 .XX ± .005 FRACTIONS: ± 1/16
 .XXX ± .001
 DO NOT TAKE MEASUREMENTS FROM DRAWING

Author: DAVID POWERS

Revision: 1

Date: Apr-09-15

Part Number: 2002

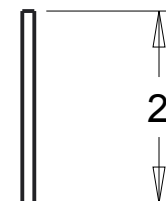
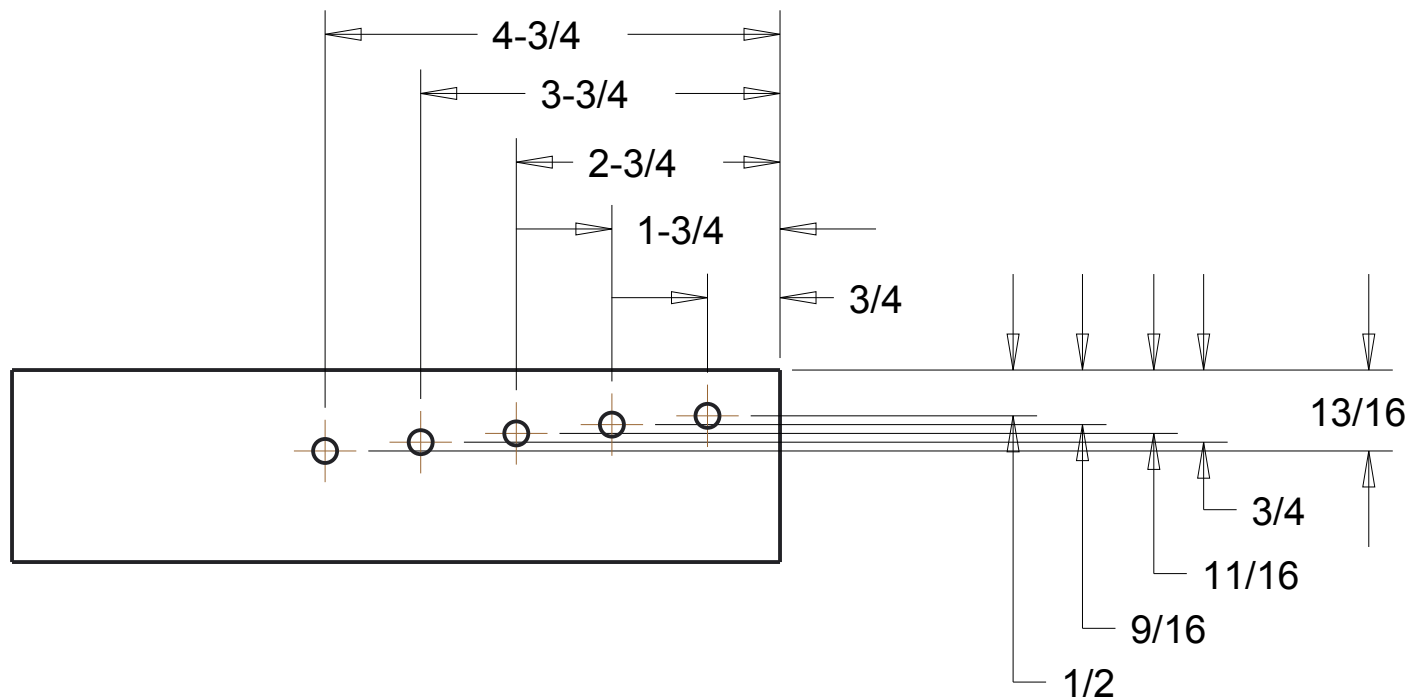
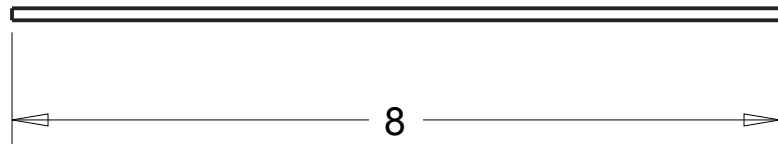
Assembly:

Reviewed:

SEAT BARS

Scale: 0.200

Page:



His Wheels International Trailer
Olivet Nazarene University
Bourbonnais, IL 60914

UNLESS OTHERWISE SPECIFIED, DIMENSIONS
ARE IN INCHES. TOLERANCES ARE:
.X ± .05 ANGLES: ± 1°
.XX ± .005 FRACTIONS: ± 1/16
.XXX ± .001
DO NOT TAKE MEASUREMENTS FROM DRAWING

Author: DAVID POWERS

Part Number: 2003

Revision: 1

Assembly:

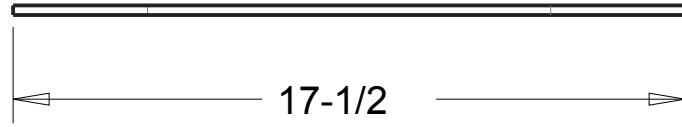
Date: Apr-09-15

Reviewed:

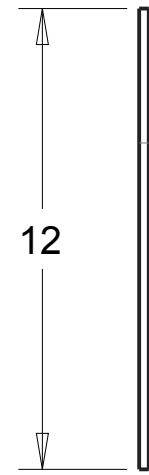
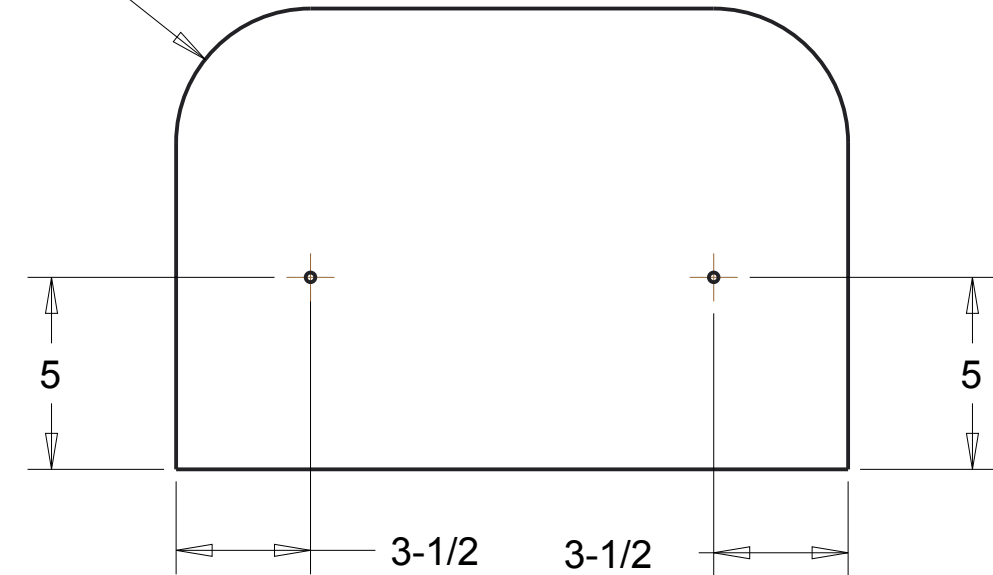
SEAT BACK BRACKET

Scale: 0.500

Page:



R3-1/2



His Wheels International Trailer
 Olivet Nazarene University
 Bourbonnais, IL 60914

UNLESS OTHERWISE SPECIFIED, DIMENSIONS
 ARE IN INCHES. TOLERANCES ARE:
 .X ± .05 ANGLES: ± 1°
 .XX ± .005 FRACTIONS: ± 1/16
 .XXX ± .001
 DO NOT TAKE MEASUREMENTS FROM DRAWING

Author: DAVID POWERS

Revision: 1

Date: Apr-09-15

Part Number: 2004

Assembly:

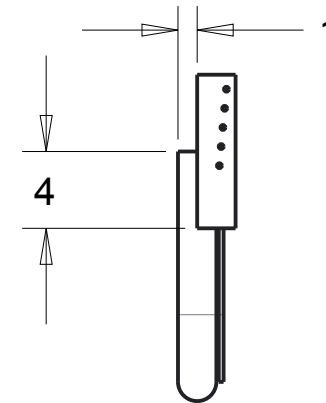
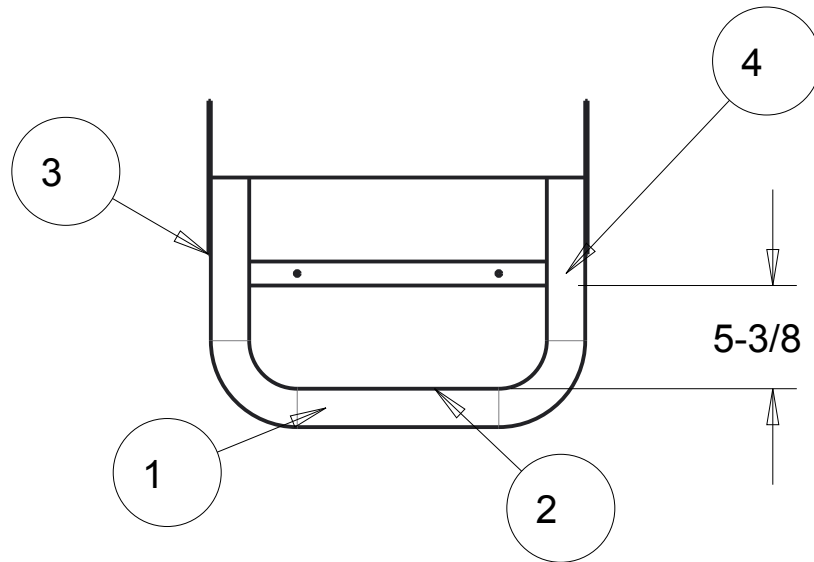
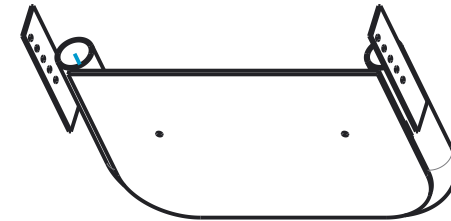
Reviewed:

BACK SEAT PLASTIC

Scale: 0.200

Page:

ITEM NO	PART NUMBER	QTY	DESCRIPTION
1	BACK-SEAT-PLASTIC	1	back-seat-plastic.prt
2	SEAT-BACK	1	seat-back.prt
3	SEAT-BACK-BRACKET	2	seat-back-bracket.prt
4	SEAT-BARS	1	seat-bars.prt



His Wheels International Trailer
 Olivet Nazarene University
 Bourbonnais, IL 60914

UNLESS OTHERWISE SPECIFIED, DIMENSIONS ARE IN INCHES. TOLERANCES ARE:
 .X ± .05 ANGLES: ± 1°
 .XX ± .005 FRACTIONS: ± 1/16
 .XXX ± .001
 DO NOT TAKE MEASUREMENTS FROM DRAWING

Author: DAVID POWERS

Part Number: 2005

Revision: 1

Assembly:

Date: Apr-09-15

Reviewed:

FULL BACK SEAT

Scale: 0.100

Page: